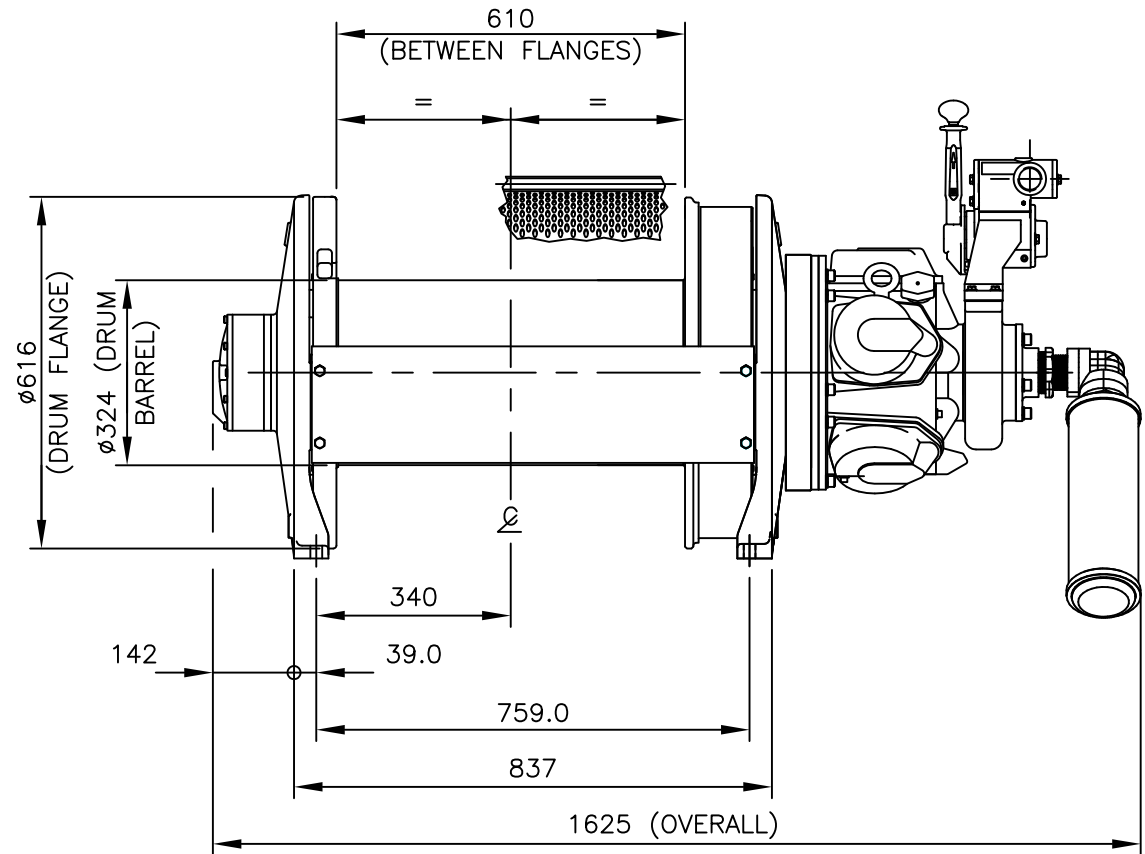
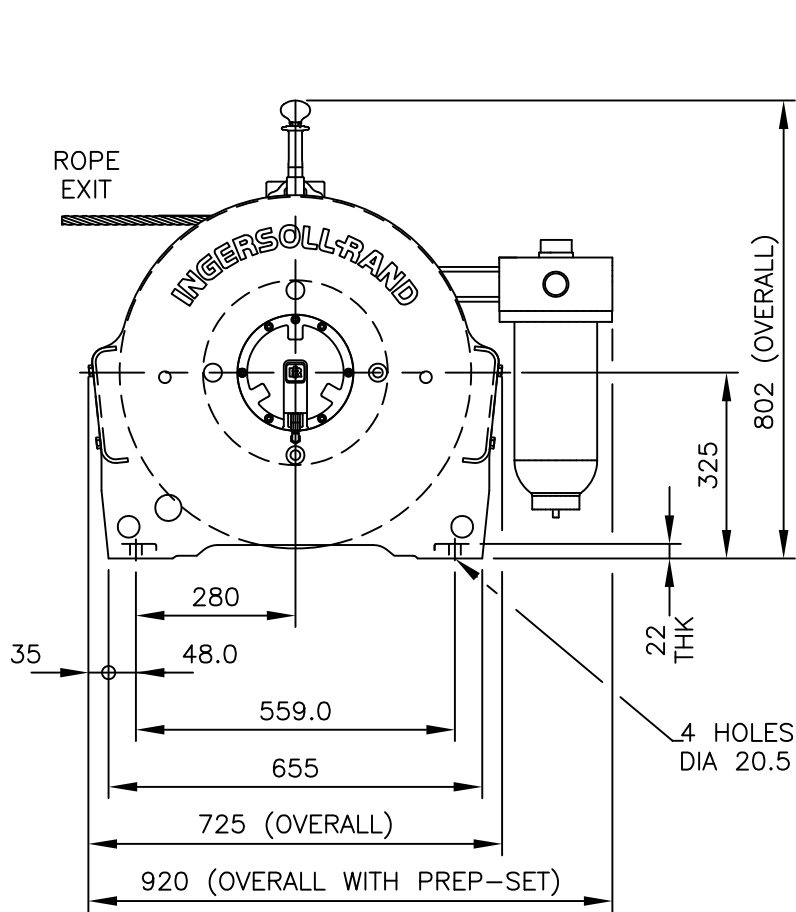


THIRD ANGLE

DO NOT SCALE



NOTES:

AIR INLET 1 1/4" NPT.
 REQUIRED AIR SUPPLY - 19.9m³/min @ 6.3 bar (700 SCFM @ 90 PSI)

PREP SET NOT SHOWN FOR CLARITY

SEE DRG No B4465 FOR ROTREX I.R. FA5A-24XK1 WINCH FOOTPRINT DETAILS.

TITLE ROTREX I.R. FA5A-24XK1,
 AIR WINCH

Rotrex Winches
 Website: www.rotrex.co.uk

ABERDEEN Tel: (01224) 771818
 DERBYSHIRE Tel: (01773) 603997
 MOTHERWELL Tel: (01698) 749938

TOLERANCES
 NO DECIMAL PLACES ± 3.0MM
 ONE DECIMAL PLACE ± 0.5MM

ROUGH M/C ± 0.25MM
 FINISH M/C ± 0.025MM
 OR AS STATED

GRIND TO LIMIT STATED

DRAWN
 A.C.

SCALE
 1:10

JOB No

TITLE

C.N.NUMBER

REV.

AUTH

CHECKED
 C.R.

DATE
 9/09

DRG.No C7276

