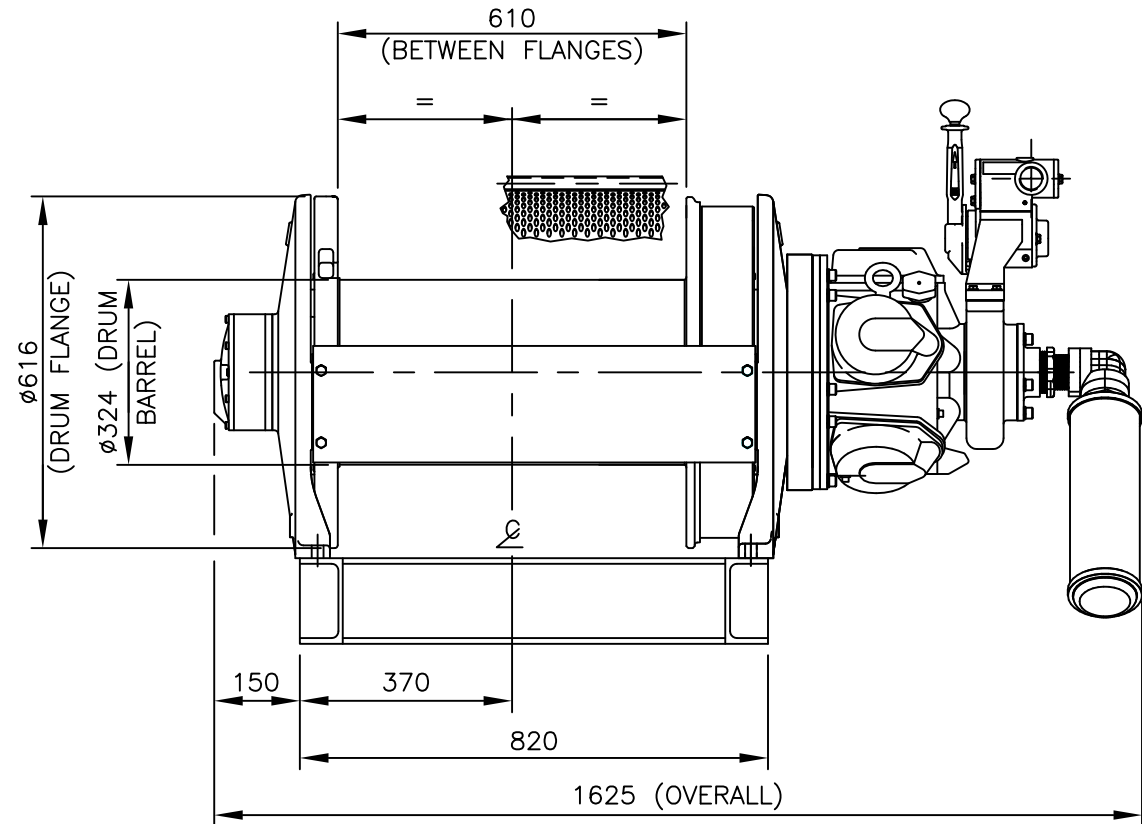
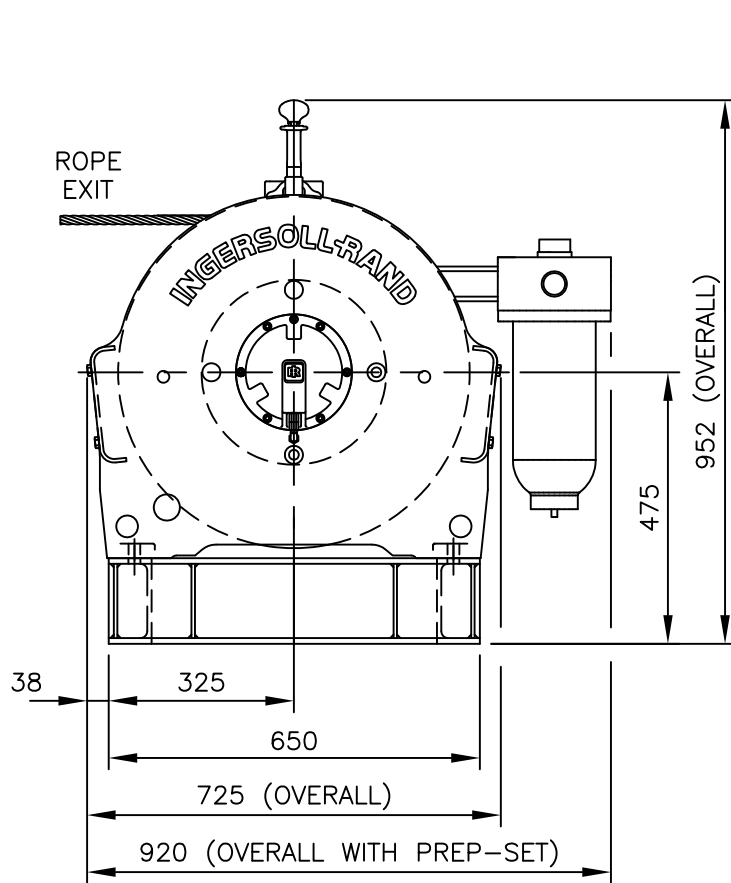


THIRD ANGLE

DO NOT SCALE



PREP SET NOT SHOWN FOR CLARITY

NOTES:

AIR INLET 1 1/4" NPT.
 REQUIRED AIR SUPPLY - 19.9m³/min @ 6.3 bar (700 SCFM @ 90 PSI)

SEE DRG No B4466 FOR ROTREX I.R. FA5A-24XK1 WINCH WITH SECONDARY BASE FRAME FOOTPRINT DETAILS.

TITLE ROTREX I.R. FA5A-24XK1, AIR WINCH
 WITH SECONDARY BASE FRAME

Rotrex Winches
 Website: www.rotrex.co.uk

ABERDEEN Tel: (01224) 771818
 DERBYSHIRE Tel: (01773) 603997
 MOTHERWELL Tel: (01698) 749938

TOLERANCES
 NO DECIMAL PLACES ± 3.0MM
 ONE DECIMAL PLACE ± 0.5MM
 ✓ ROUGH M/C ± 0.25MM
 ✓ FINISH M/C ± 0.025MM
 OR AS STATED
 ✓ GRIND TO LIMIT STATED

DRAWN
 A.C.

SCALE
 1:10

JOB No

TITLE

CHECKED
 C.R.

DATE
 9/09

DRG.No C7277

C.N.NUMBER	REV.	AUTH
------------	------	------

