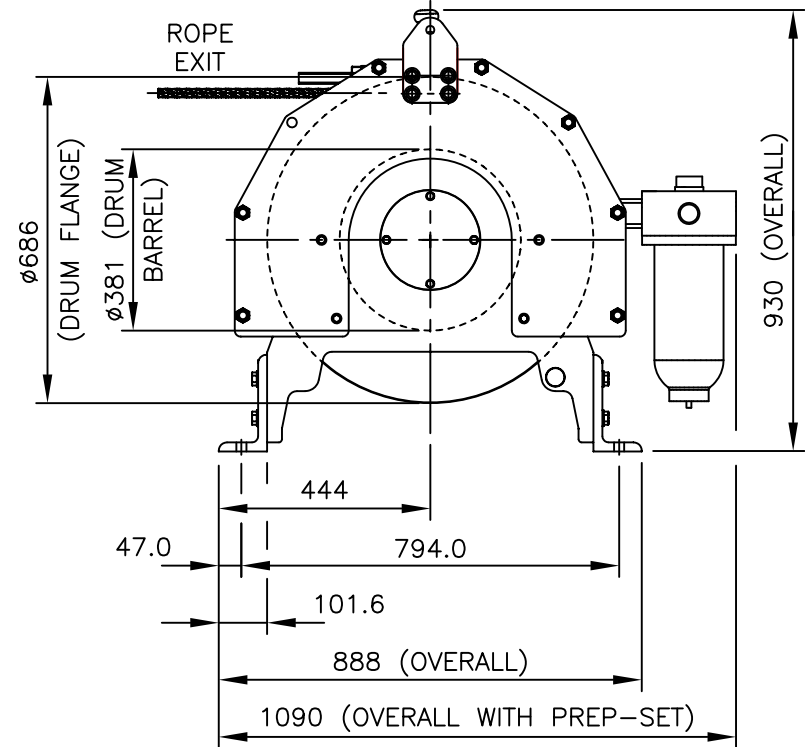
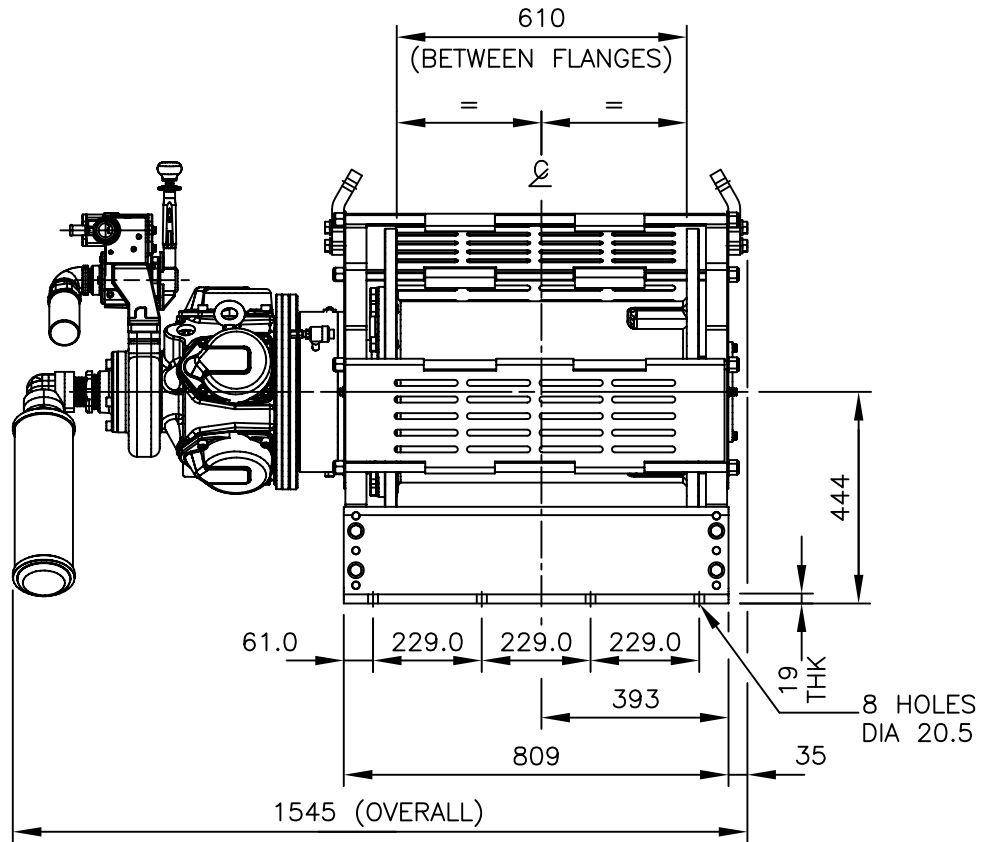


THIRD ANGLE


DO NOT SCALE



**NOTES:**

AIR INLET 1 1/4" NPT.  
 REQUIRED AIR SUPPLY - 19.9m<sup>3</sup>/min @ 6.3 bar (700 SCFM @ 90 PSI)

SEE DRG No B4467 FOR ROTREX I.R. FA5i-24XK1G WINCH FOOTPRINT DETAILS.

|  |  |  |  |  |                 |               |              |       |
|--|--|--|--|--|-----------------|---------------|--------------|-------|
|  | TITLE<br>ROTREX I.R. FA5i-24XK1G,<br>AIR WINCH |  | TOLERANCES<br>NO DECIMAL PLACES ± 3.0MM<br>ONE DECIMAL PLACE ± 0.5MM                             |  | DRAWN<br>A.C.   | SCALE<br>1:12 | JOB No       | TITLE |
|  | Rotrex Winches<br>Website: www.rotrex.co.uk    |  | ABERDEEN Tel: (01224) 771818<br>DERBYSHIRE Tel: (01773) 603997<br>MOTHERWELL Tel: (01698) 749938 |  | CHECKED<br>C.R. | DATE<br>9/09  | DRG.No C7278 |       |

|            |      |      |
|------------|------|------|
| C.N.NUMBER | REV. | AUTH |
|------------|------|------|