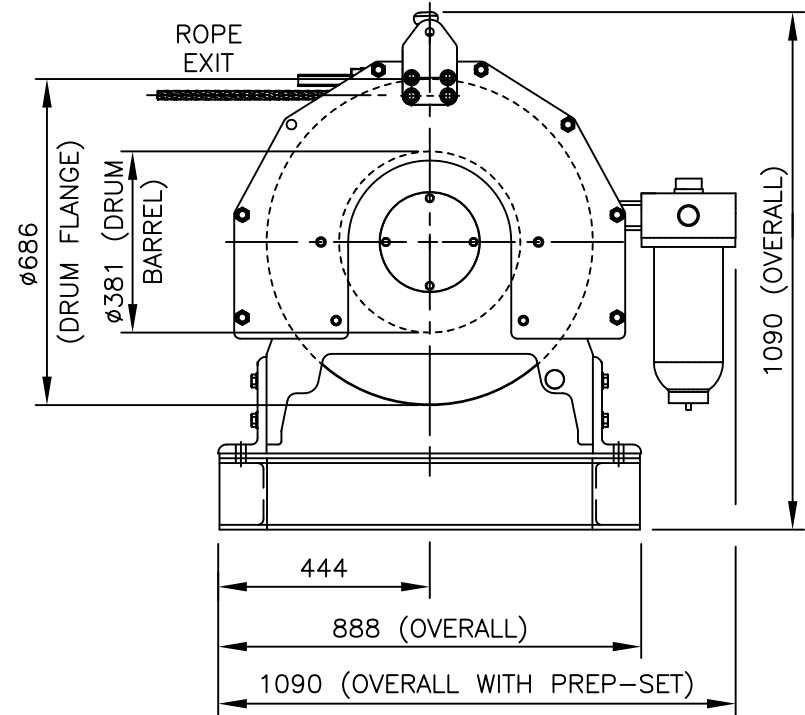
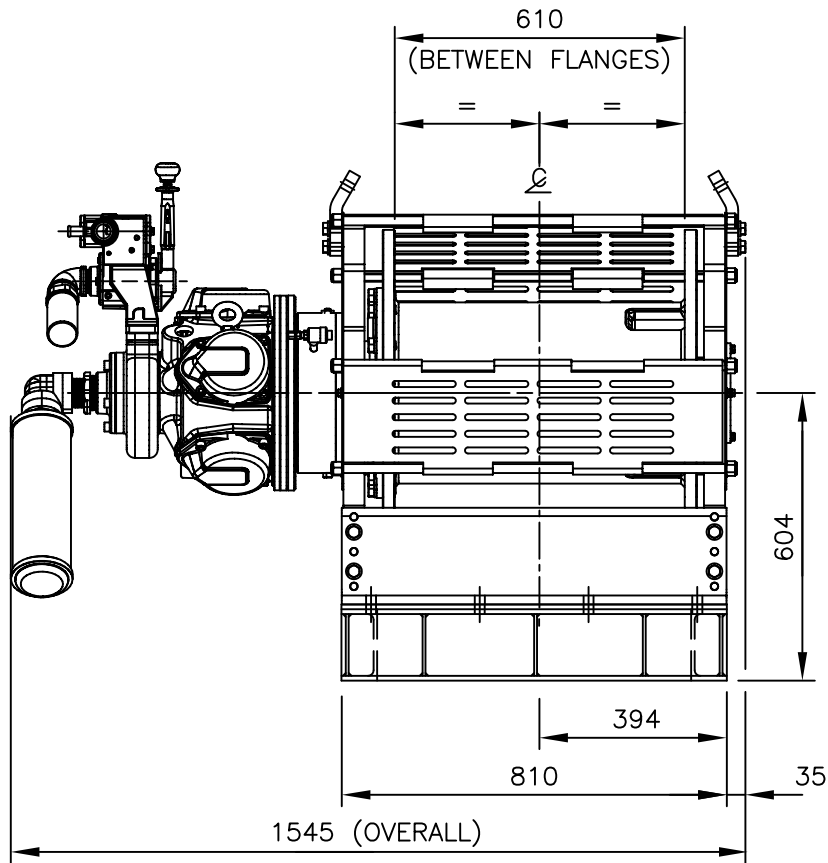


THIRD ANGLE

DO NOT SCALE



NOTES:

AIR INLET 1 1/4" NPT.
 REQUIRED AIR SUPPLY - 19.9m³/min @ 6.3 bar (700 SCFM @ 90 PSI)

SEE DRG No B4468 FOR ROTREX I.R. FA5i-24XK1G WINCH WITH SECONDARY BASE FOOTPRINT DETAILS.

C.N.NUMBER	REV.	AUTH
------------	------	------

TITLE ROTREX I.R. FA5i-24XK1G, AIR
 WINCH WITH SECONDARY BASE FRAME

TOLERANCES
 NO DECIMAL PLACES ± 3.0MM
 ONE DECIMAL PLACE ± 0.5MM

ROUGH M/C ± 0.25MM
 FINISH M/C ± 0.025MM
 OR AS STATED

GRIND TO LIMIT STATED

DRAWN A.C.	SCALE 1:12	JOB No	TITLE
CHECKED C.R.	DATE 9/09	DRG.No C7279	

Rotrex Winches
 Website: www.rotrex.co.uk

ABERDEEN Tel: (01224) 771818
 DERBYSHIRE Tel: (01773) 603997
 MOTHERWELL Tel: (01698) 749938

