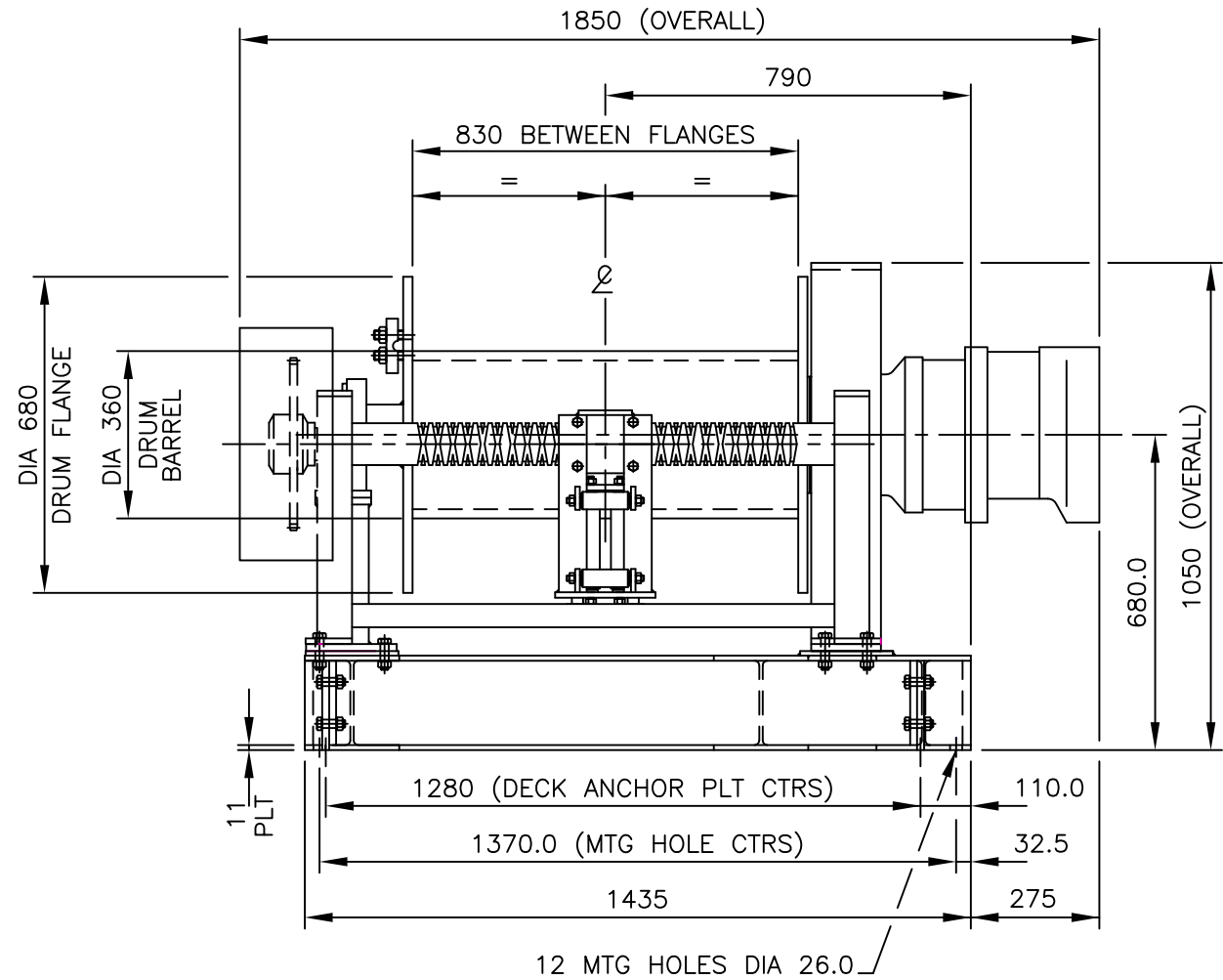
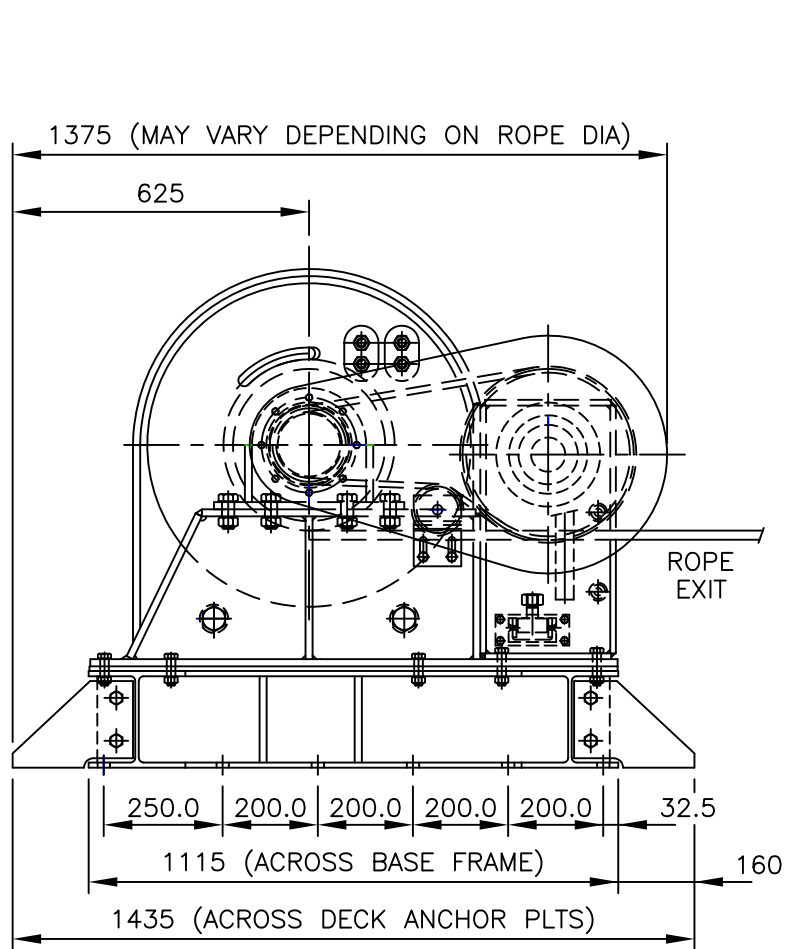


THIRD ANGLE

DO NOT SCALE



SEE DRG No B3937 FOR ROTREX C6.5NE DECK ANCHOR PLT DETAILS.
SEE DRG No B3993 FOR ROTREX C6.5NE WINCH FOOTPRINT DETAILS.

TITLE ROTREX C6.5NE HYDRAULIC WINCH

Rotrex Winches
Website: www.rotrex.co.uk

ABERDEEN Tel: (01224) 771818
DERBYSHIRE Tel: (01773) 603997
MOTHERWELL Tel: (01698) 744348

TOLERANCES
NO DECIMAL PLACES $\pm 3.0\text{MM}$
ONE DECIMAL PLACE $\pm 0.5\text{MM}$
ROUGH M/C $\pm 0.25\text{MM}$
FINISH M/C $\pm 0.025\text{MM}$
OR AS STATED
GRIND TO LIMIT STATED

DRAWN
C.R.

SCALE
1:12

JOB No

TITLE

CHECKED
C.R.

DATE
10/05

DRG.No C7113

	B	
	A	
C.N.NUMBER	REV.	AUTH

