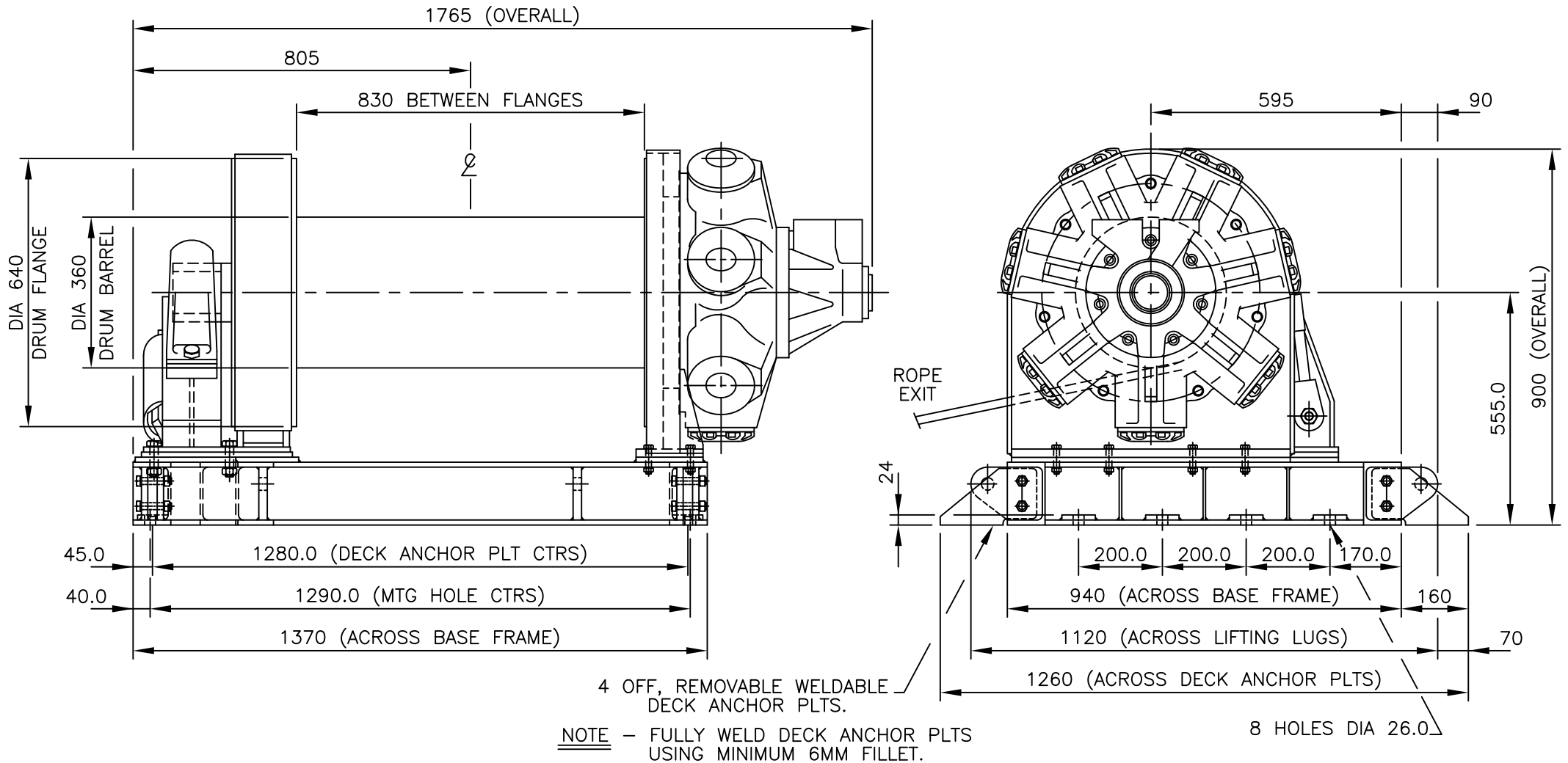


THIRD ANGLE

DO NOT SCALE



SEE DRG No B3612 FOR ROTREX C6.5 DECK ANCHOR PLT DETAILS.  
SEE DRG No B3623 FOR ROTREX C6.5 WINCH FOOTPRINT DETAILS.

	B	
	A	
C.N.NUMBER	REV.	AUTH

TITLE  
ROTREX C6.5 HYDRAULIC WINCH.

TOLERANCES  
NO DECIMAL PLACES  $\pm 3.0\text{MM}$   
ONE DECIMAL PLACE  $\pm 0.5\text{MM}$

DRAWN  
C.R.

SCALE  
1:10

JOB No

TITLE

Rotrex Winches  
Website: www.rotrex.co.uk

ABERDEEN Tel: (01224) 771818  
DERBYSHIRE Tel: (01773) 603997  
MOTHERWELL Tel: (01698) 744348

ROUGH M/C  $\pm 0.25\text{MM}$   
FINISH M/C  $\pm 0.025\text{MM}$   
OR AS STATED  
GRIND TO LIMIT STATED

CHECKED  
C.R.

DATE  
6/99

DRG.No C7019

