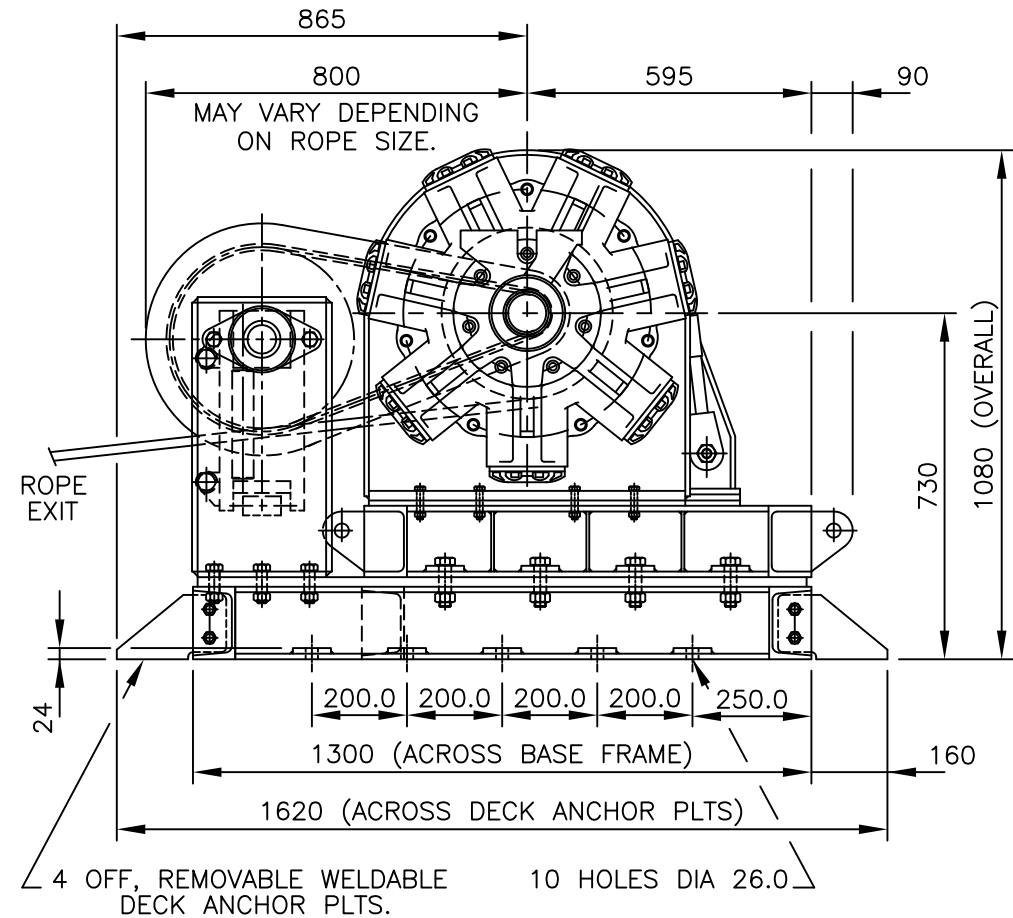
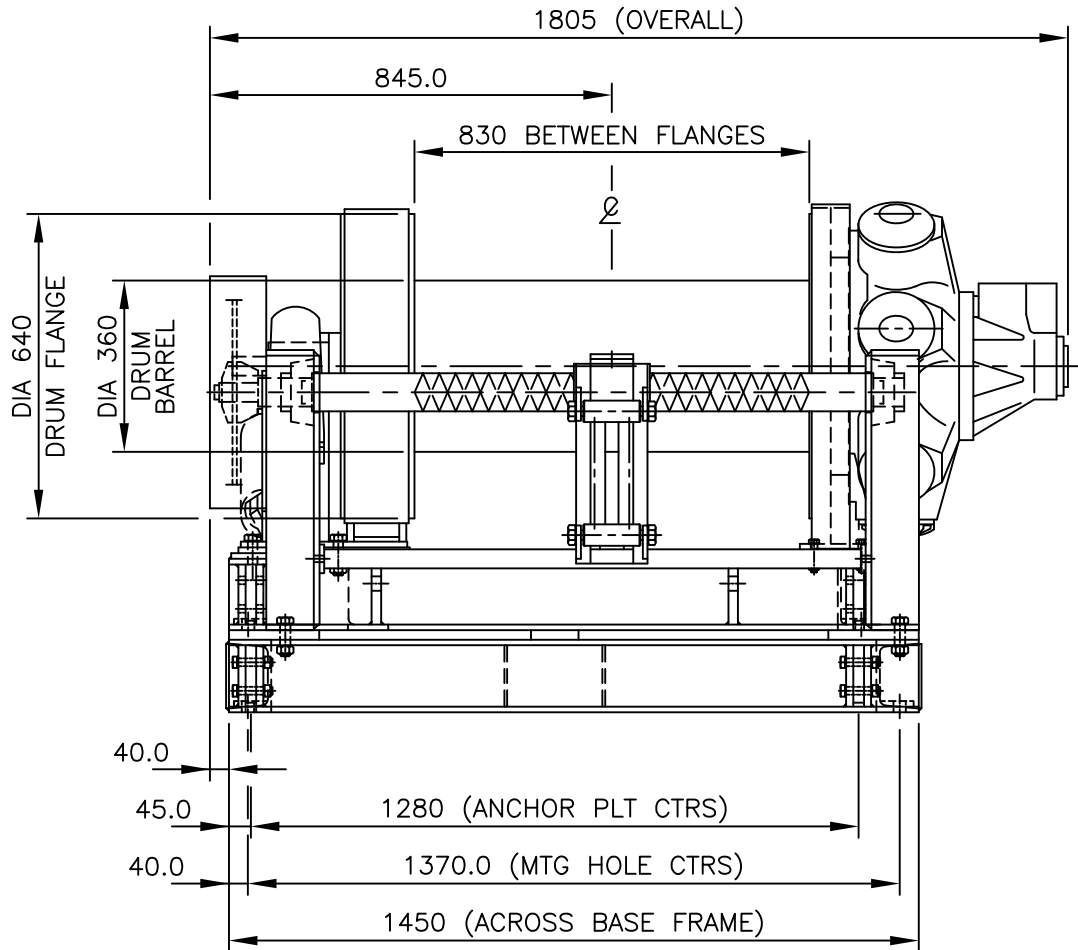


THIRD ANGLE

DO NOT SCALE



NOTE - FULLY WELD DECK ANCHOR PLTS USING MINIMUM 6MM FILLET.

SEE DRG NO B3612 FOR ROTREX C6.5 DECK ANCHOR PLT DETAILS.
SEE DRG NO B3626 FOR ROTREX C6.5 WINCH WITH SPOOLING GEAR FOOTPRINT DETAILS.

TITLE ROTREX C6.5 HYDRAULIC WINCH.
WITH SPOOLING GEAR.

Rotrex Winches
Website: www.rotrex.co.uk

ABERDEEN Tel: (01224) 771818
DERBYSHIRE Tel: (01773) 603997
MOTHERWELL Tel: (01698) 744348

TOLERANCES
NO DECIMAL PLACES $\pm 3.0\text{MM}$
ONE DECIMAL PLACE $\pm 0.5\text{MM}$
ROUGH M/C $\pm 0.25\text{MM}$
FINISH M/C $\pm 0.025\text{MM}$
OR AS STATED
GRIND TO LIMIT STATED

DRAWN
C.R.

SCALE
1:12

JOB No

TITLE

CHECKED
C.R.

DATE
6/90

DRG.No C7020

	B	
	A	
C.N.NUMBER	REV.	AUTH

