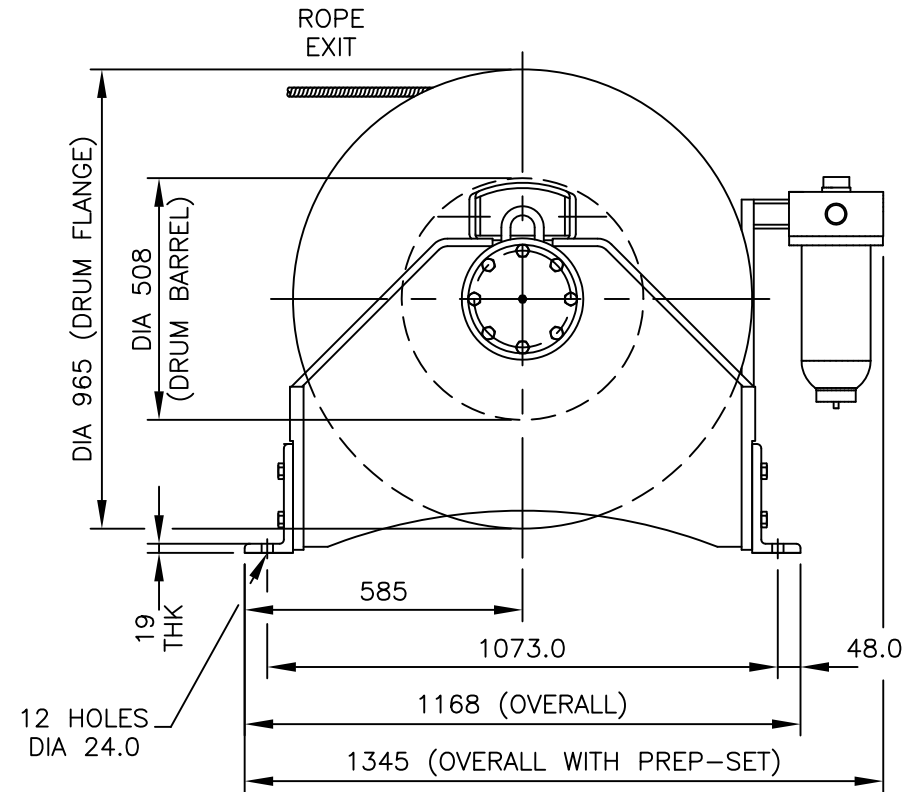
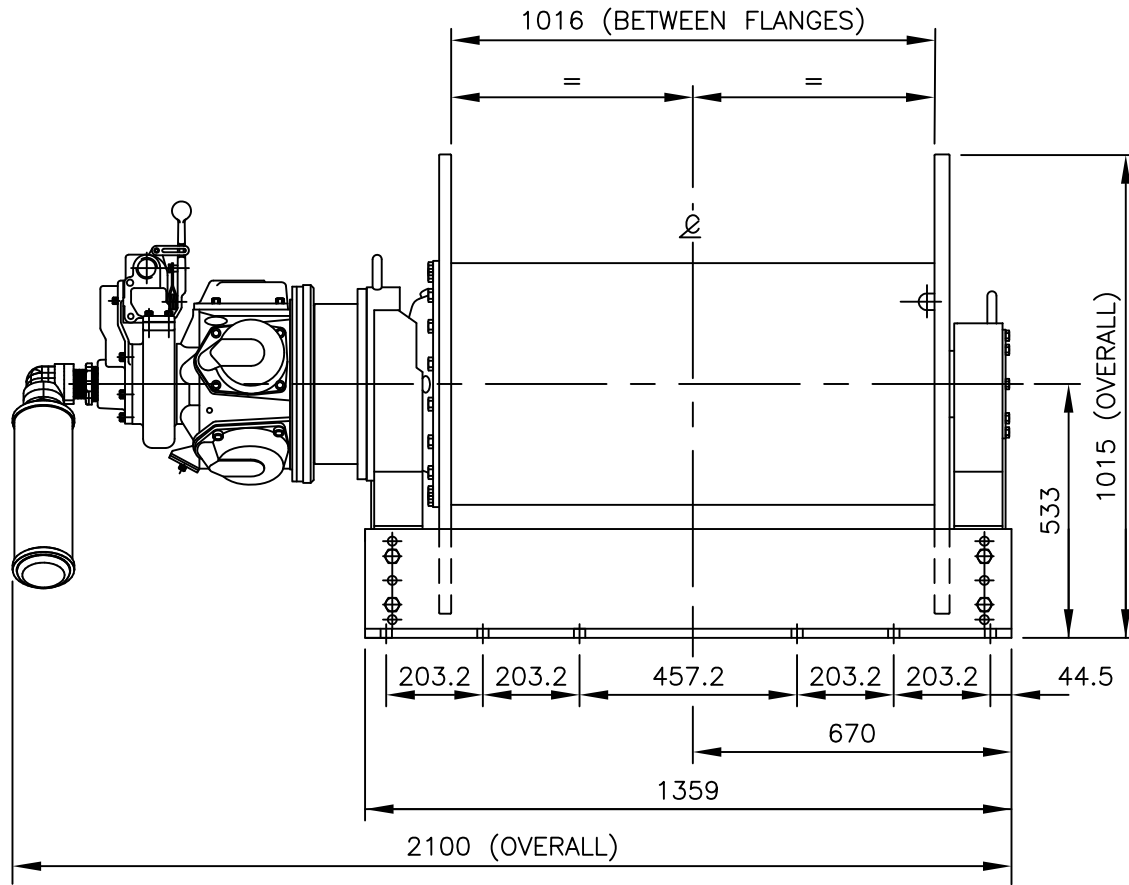


THIRD ANGLE

DO NOT SCALE



NOTES:

AIR INLET 1¼" NPT.

REQUIRED AIR SUPPLY – 22.7m³/min @ 6.3 bar (800 SCFM @ 90 PSI)

SEE DRG No B4471 FOR ROTREX I.R. FA10-40XK1 WINCH FOOTPRINT DETAILS.

TITLE ROTREX I.R. FA10-40XK1
FORCE 5 AIR WINCH

Rotrex Winches
Website: www.rotrex.co.uk

ABERDEEN Tel: (01224) 771818
DERBYSHIRE Tel: (01773) 603997
MOTHERWELL Tel: (01698) 749938

TOLERANCES
NO DECIMAL PLACES ± 3.0MM
ONE DECIMAL PLACE ± 0.5MM

ROUGH M/C ± 0.25MM
FINISH M/C ± 0.025MM
OR AS STATED
GRIND TO LIMIT STATED

DRAWN
A.C.

SCALE
1:12

JOB No

TITLE

C.N.NUMBER

REV.

AUTH

CHECKED
C.R.

DATE
9/09

DRG.No C7282

