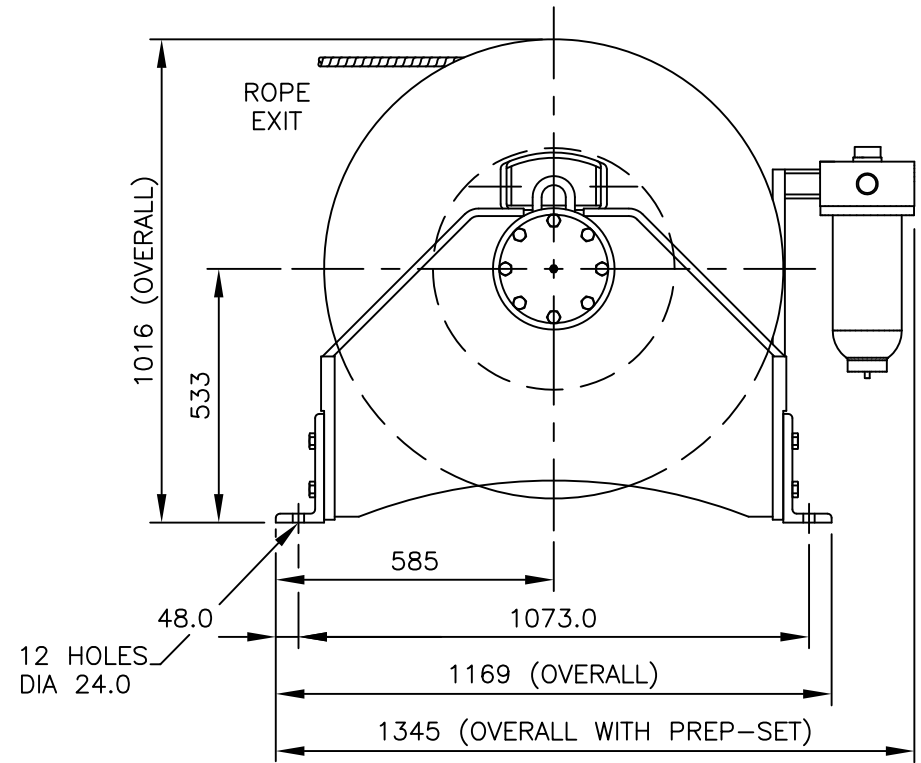
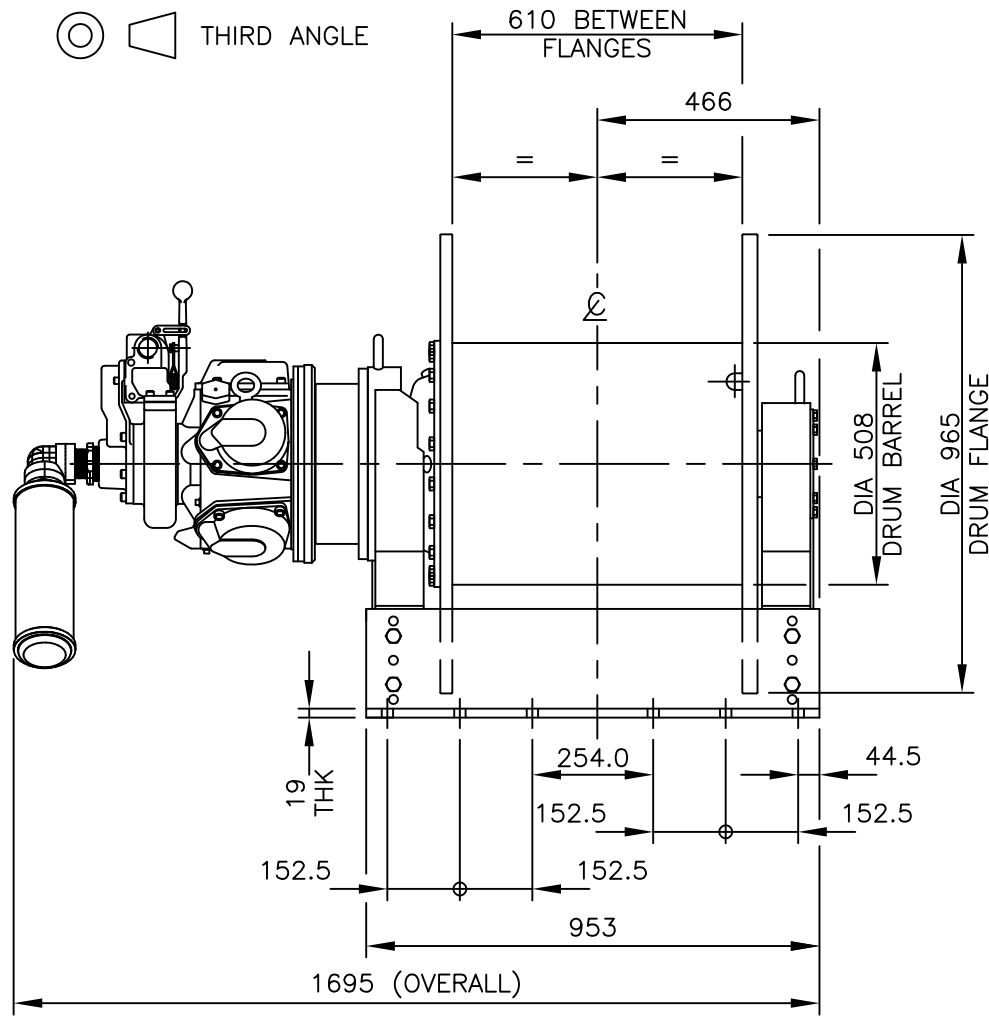


THIRD ANGLE

DO NOT SCALE



NOTES:

AIR INLET 1 1/4" NPT.
 REQUIRED AIR SUPPLY - 22.7m³/min @ 6.3 bar (800 SCFM @ 90 PSI)

SEE DRG B4469 FOR ROTREX I.R. FA10-24XK1 WINCH FOOTPRINT DETAILS.

TITLE ROTREX I.R. FA10-24XK1
 FORCE 5 AIR WINCH

Rotrex Winches
 Website: www.rotrex.co.uk

ABERDEEN Tel: (01224) 771818
 DERBYSHIRE Tel: (01773) 603997
 MOTHERWELL Tel: (01698) 749938

TOLERANCES
 NO DECIMAL PLACES ± 3.0MM
 ONE DECIMAL PLACE ± 0.5MM
 ✓ ROUGH M/C ± 0.25MM
 ✓ FINISH M/C ± 0.025MM
 OR AS STATED
 ✓ GRIND TO LIMIT STATED

DRAWN A.C.
 CHECKED C.R.

SCALE 1:12
 DATE 9/09

C.N.NUMBER	REV.	AUTH
TITLE		
JOB No		
DRG.No C7280		

