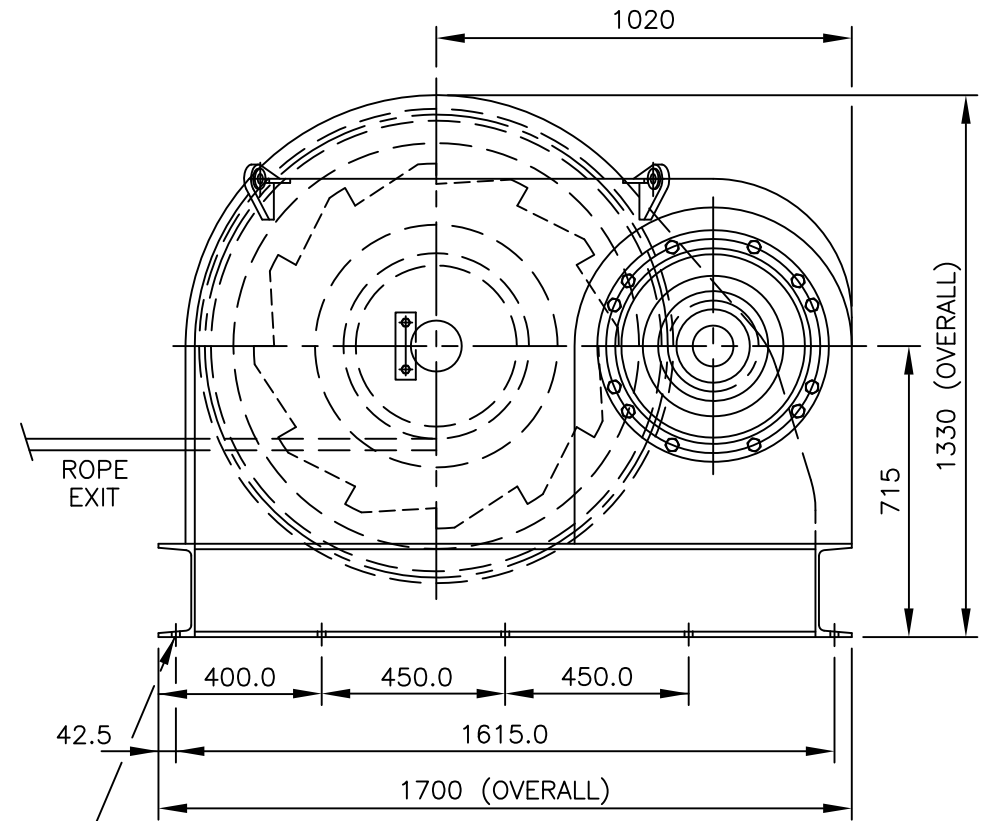
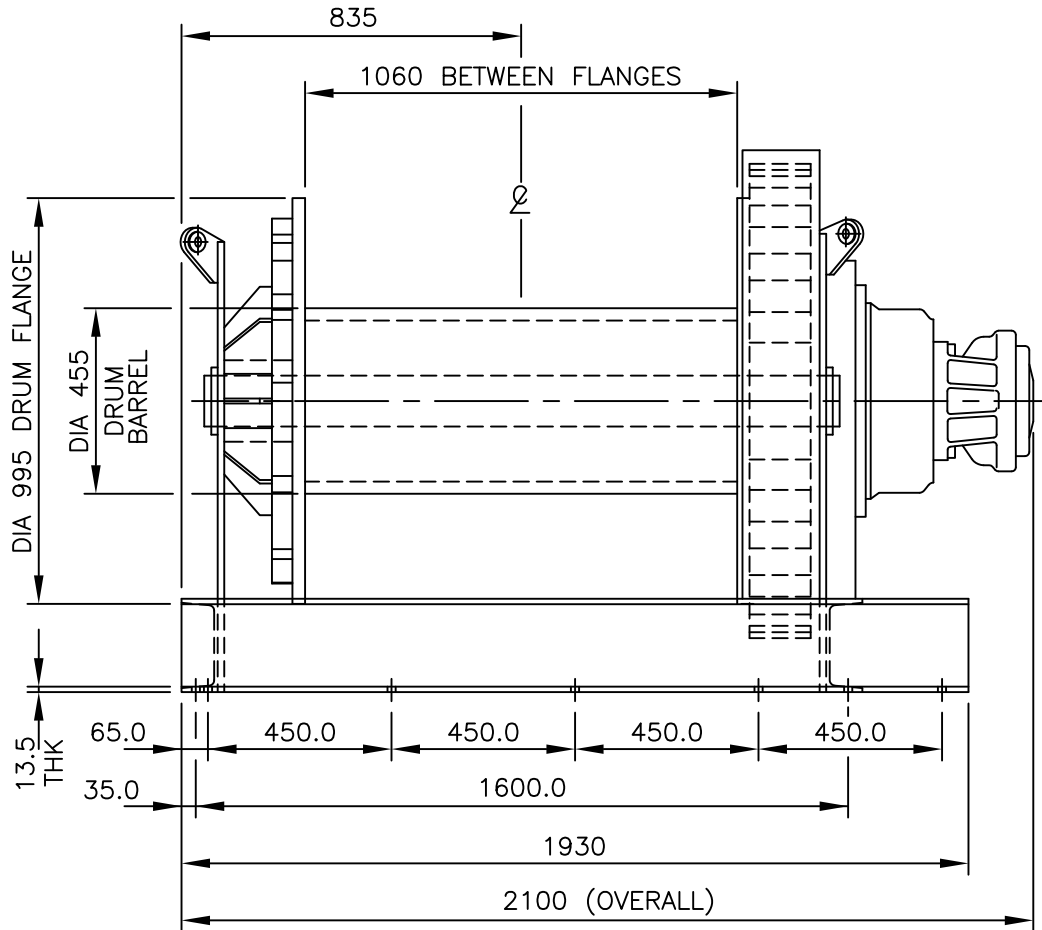


THIRD ANGLE

DO NOT SCALE



16 MTG HOLES DIA 22.0  
 2 OFF SETS OF 5 (ALONG 1930 LENGTH)  
 2 OFF SETS OF 3 (ALONG 1700 WIDTH)

	D	A.C.
	C	
C.N.NUMBER	REV.	AUTH

SEE DRG No B3958 FOR ROTREX W12 WINCH FOOTPRINT DETAILS.

TITLE ROTREX W12 HYDRAULIC WINCH

Rotrex Winches  
 Website: www.rotrex.co.uk

ABERDEEN Tel: (01224) 771818  
 DERBYSHIRE Tel: (01773) 603997  
 MOTHERWELL Tel: (01698) 749938

TOLERANCES  
 NO DECIMAL PLACES  $\pm 3.0\text{MM}$   
 ONE DECIMAL PLACE  $\pm 0.5\text{MM}$

ROUGH M/C  $\pm 0.25\text{MM}$   
 FINISH M/C  $\pm 0.025\text{MM}$   
 OR AS STATED  
 GRIND TO LIMIT STATED

DRAWN  
 C.R.

SCALE  
 1/14

JOB No

TITLE

CHECKED  
 C.R.

DATE  
 4/05

DRG.No C7096

