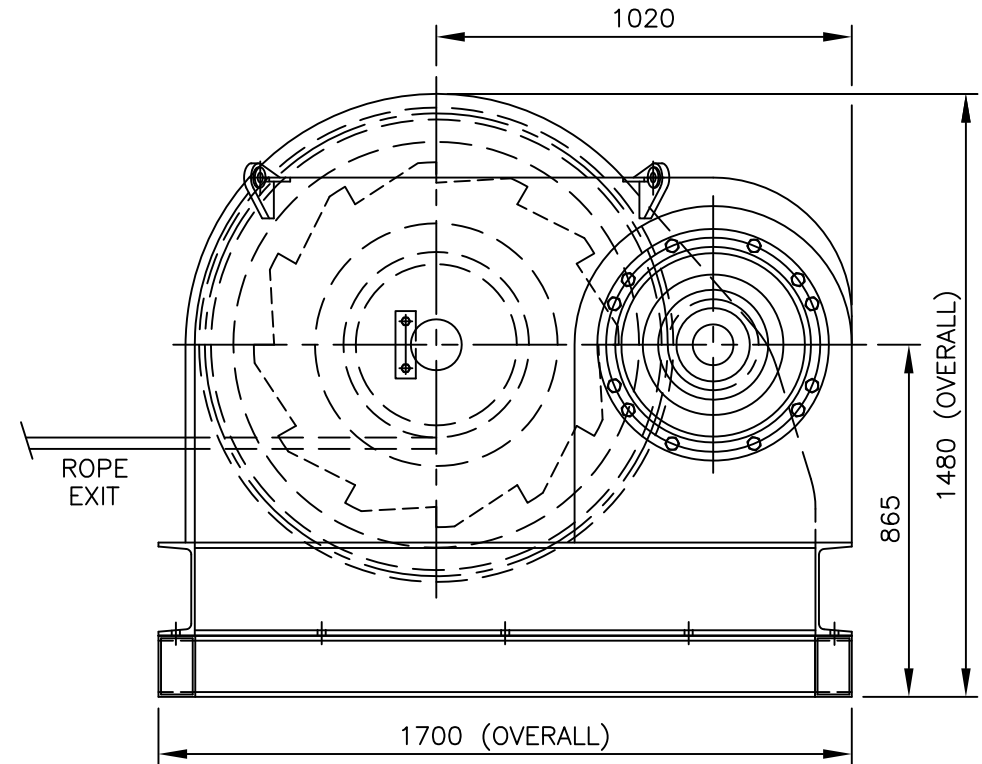
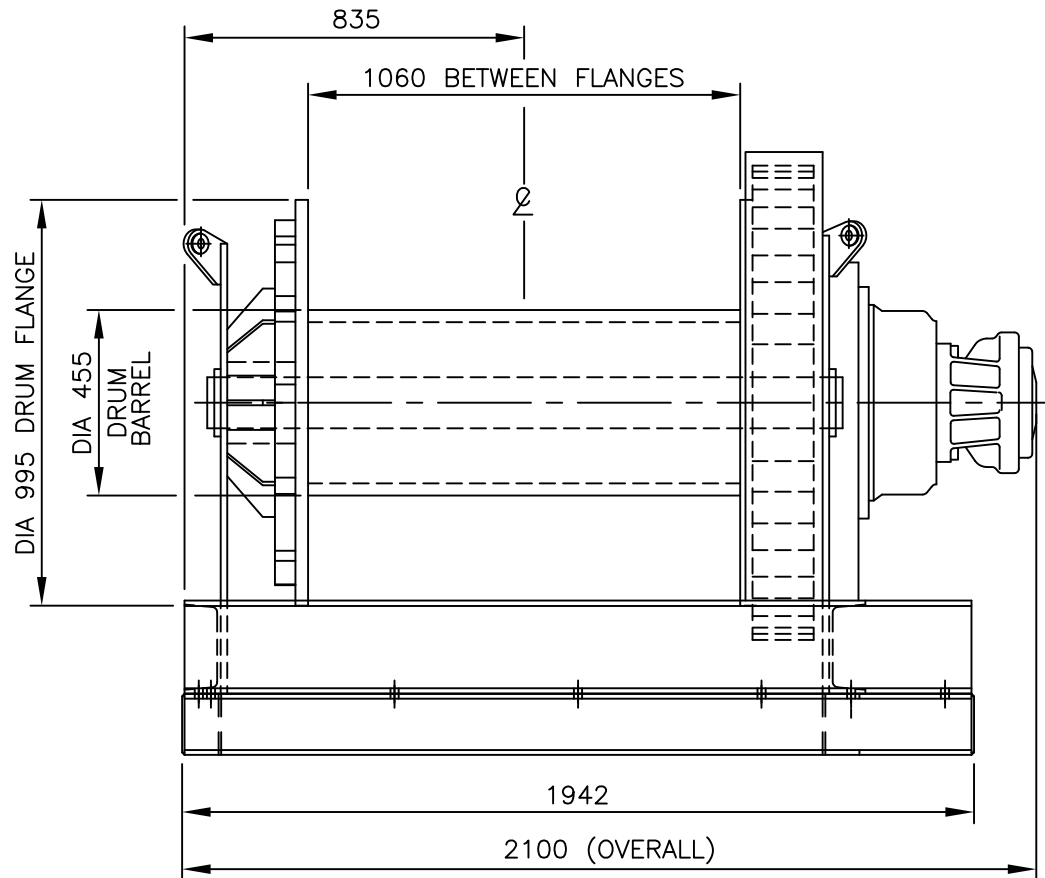


THIRD ANGLE

DO NOT SCALE



SEE DRG No B4371 FOR ROTREX W12 WINCH WITH SECONDARY BASE FOOTPRINT DETAILS.

TITLE ROTREX W12 HYDRAULIC WINCH
COMPLETE WITH SECONDARY BASE FRAME.

Rotrex Winches
Website: www.rotrex.co.uk

ABERDEEN Tel: (01224) 771818
DERBYSHIRE Tel: (01773) 603997
MOTHERWELL Tel: (01698) 749938

TOLERANCES
NO DECIMAL PLACES $\pm 3.0\text{MM}$
ONE DECIMAL PLACE $\pm 0.5\text{MM}$
ROUGH M/C $\pm 0.25\text{MM}$
FINISH M/C $\pm 0.025\text{MM}$
OR AS STATED
GRIND TO LIMIT STATED

DRAWN
A.C.

SCALE
1/14

JOB No

C.N.NUMBER REV. AUTH

TITLE

CHECKED
C.R.

DATE
02/09

DRG.No C7232