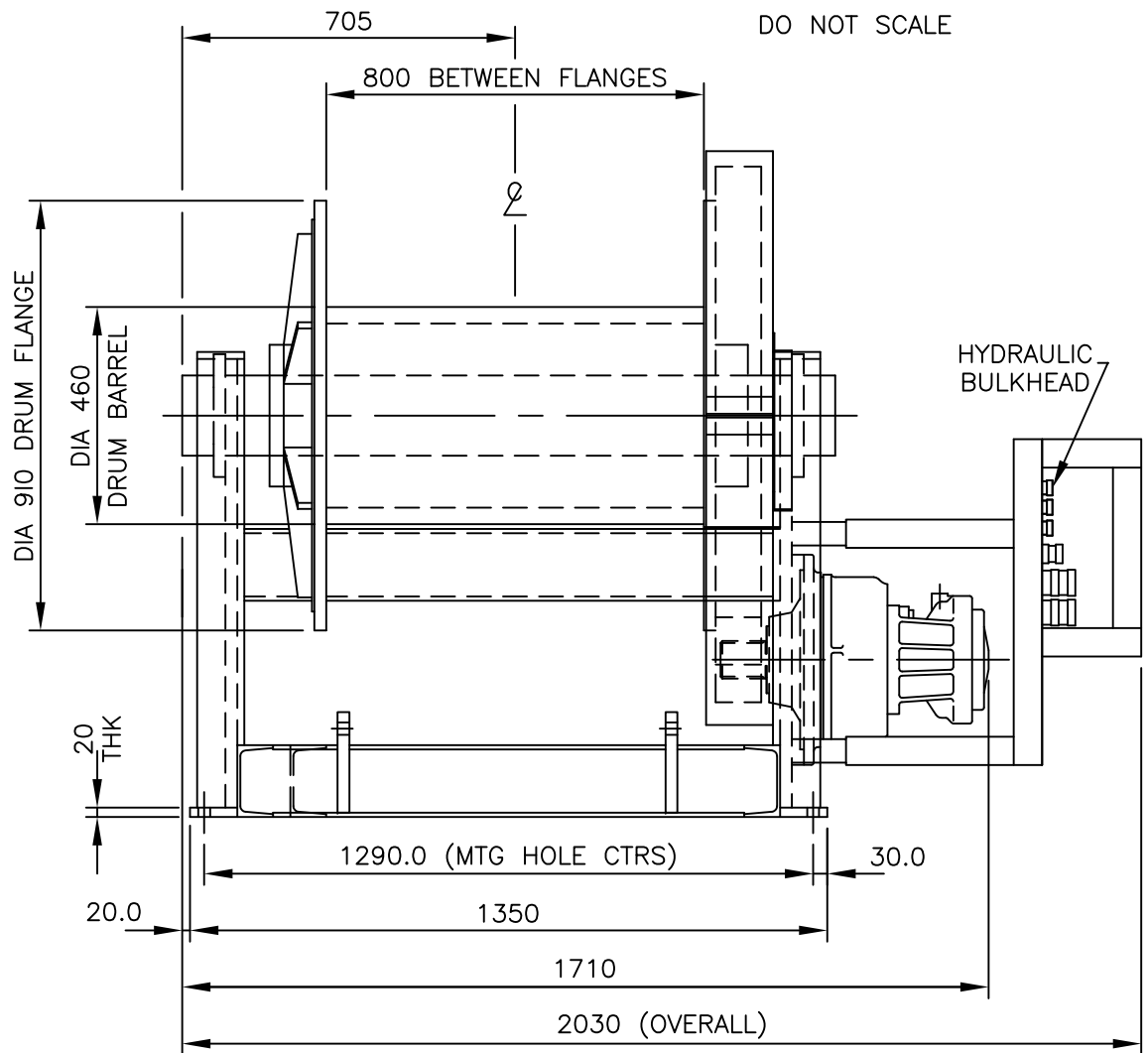
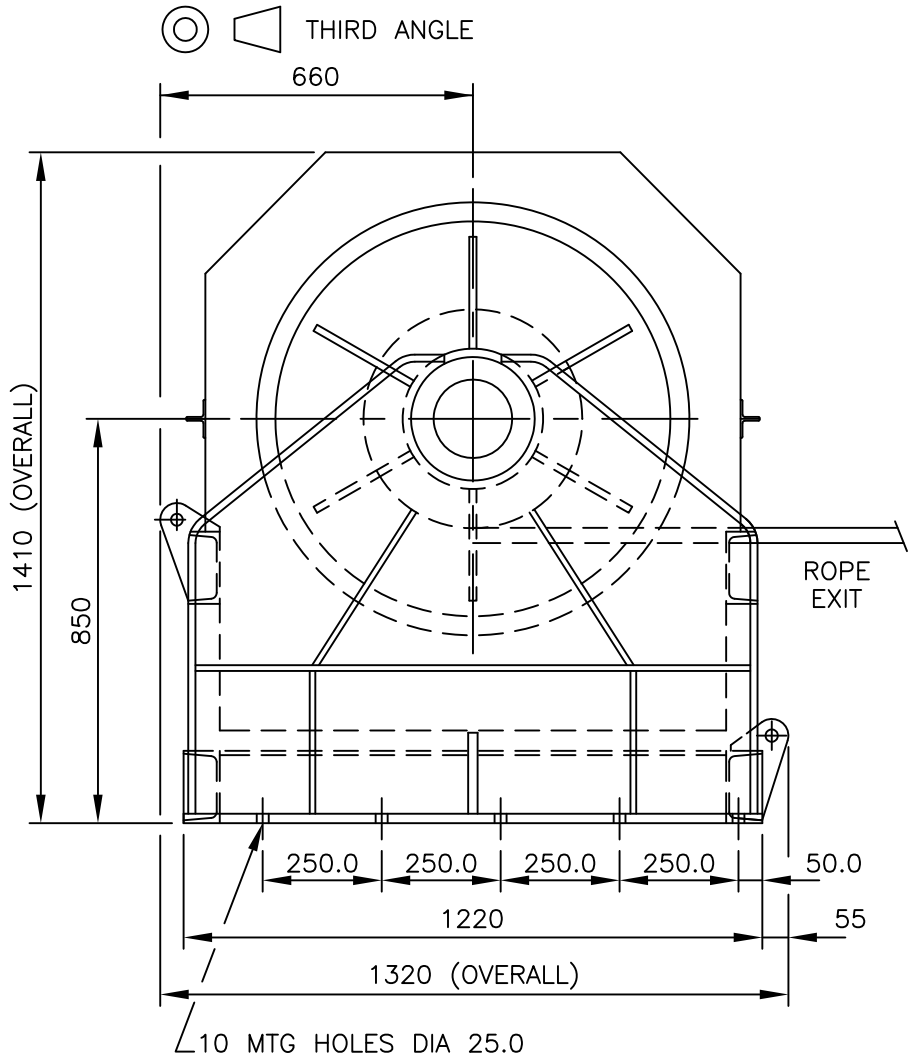


THIRD ANGLE



DO NOT SCALE

WINCH DRUM GUARD NOT SHOWN FOR CLARITY

SEE DRG No C7409 FOR ROTREX ZW17 WINCH PLAN VIEW/FOOTPRINT DETAILS.

TITLE  
ROTREX ZW17 HYDRAULIC WINCH

Rotrex Winches  
Website: www.rotrex.co.uk

ABERDEEN Tel: (01224) 771818  
DERBYSHIRE Tel: (01773) 603997  
MOTHERWELL Tel: (01698) 749938

TOLERANCES  
NO DECIMAL PLACES  $\pm 3.0\text{MM}$   
ONE DECIMAL PLACE  $\pm 0.5\text{MM}$   
ROUGH M/C  $\pm 0.25\text{MM}$   
FINISH M/C  $\pm 0.025\text{MM}$   
OR AS STATED  
GRIND TO LIMIT STATED

DRAWN  
C.R.

SCALE  
1:12

JOB No

TITLE

CHECKED  
C.R.

DATE  
3/00

DRG.No C7027

	D	A.C.
	C	A.C.
C.N.NUMBER	REV.	AUTH

