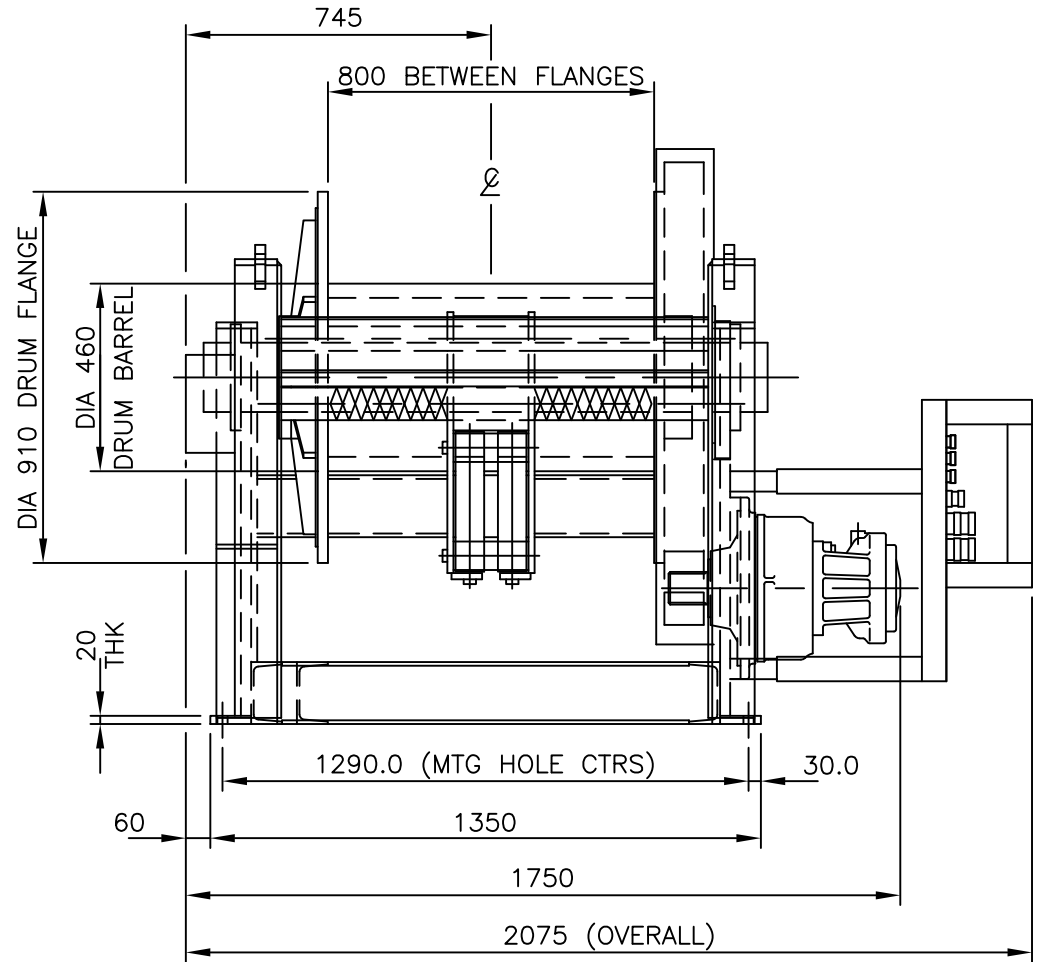
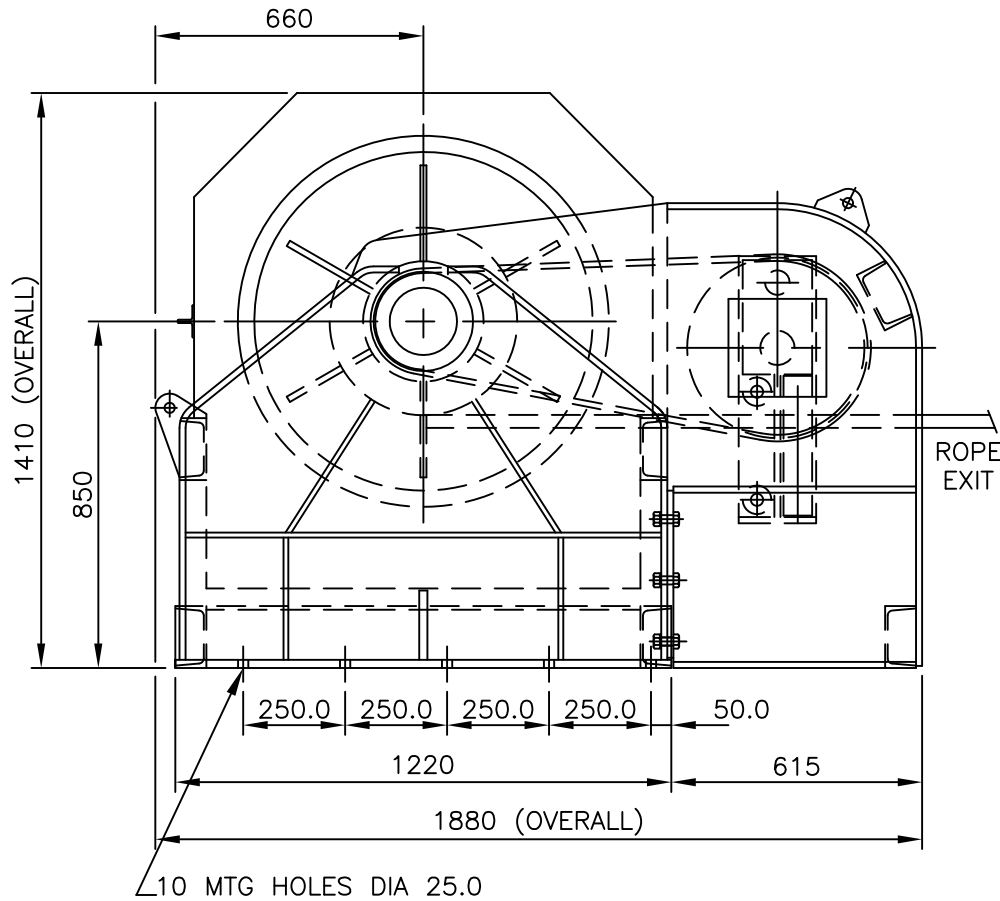


THIRD ANGLE

DO NOT SCALE



WINCH DRUM GUARD NOT SHOWN FOR CLARITY

SEE DRG No C7411 FOR ROTREX ZW17 WINCH WITH SPOOLING GEAR PLAN VIEW/FOOTPRINT DETAILS.

	D	A.C.
	C	A.C.
C.N.NUMBER	REV.	AUTH

TITLE ROTREX ZW17 HYDRAULIC WINCH WITH SPOOLING GEAR

TOLERANCES
NO DECIMAL PLACES $\pm 3.0\text{MM}$
ONE DECIMAL PLACE $\pm 0.5\text{MM}$

DRAWN
C.R.

SCALE
1:14

JOB No

TITLE

Rotrex Winches
Website: www.rotrex.co.uk

ABERDEEN Tel: (01224) 771818
DERBYSHIRE Tel: (01773) 603997
MOTHERWELL Tel: (01698) 749938

ROUGH M/C $\pm 0.25\text{MM}$
FINISH M/C $\pm 0.025\text{MM}$
OR AS STATED
GRIND TO LIMIT STATED

CHECKED
C.R.

DATE
3/00

DRG.No C7028

