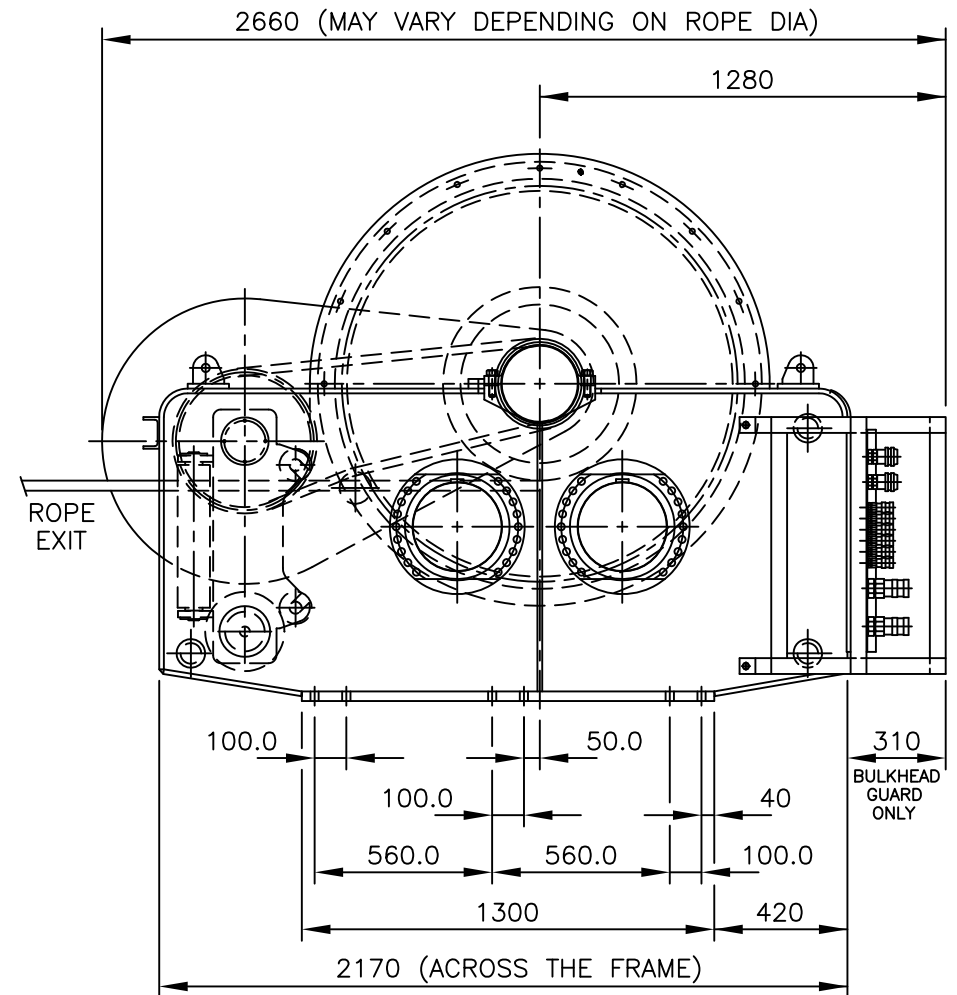
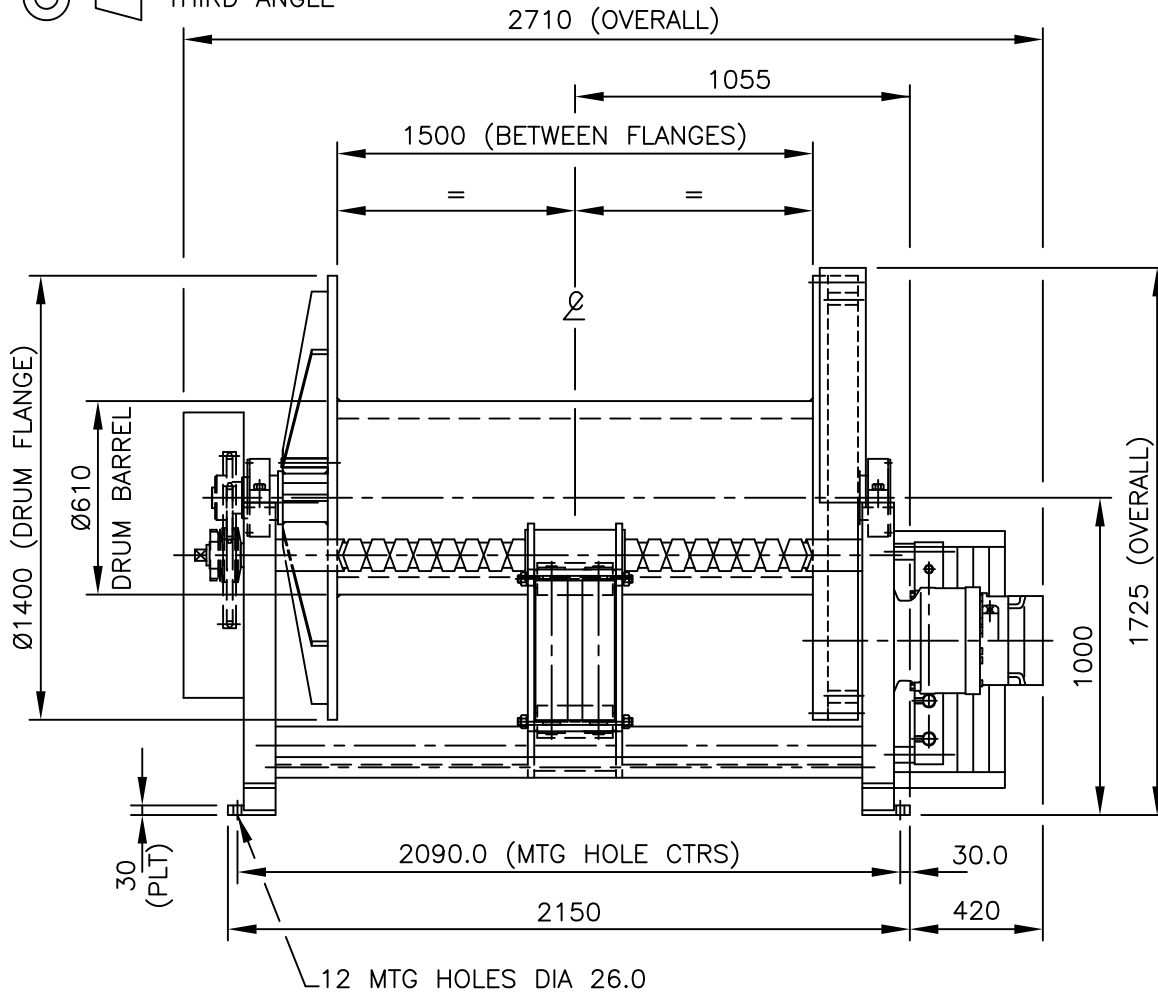


THIRD ANGLE

DO NOT SCALE



SEE DRG No B4364 FOR ROTREX MS40NE WINCH FOOTPRINT DETAILS.

TITLE ROTREX MS40NE HYDRAULIC WINCH

Rotrex Winches
Website: www.rotrex.co.uk

ABERDEEN Tel: (01224) 771818
DERBYSHIRE Tel: (01773) 603997
MOTHERWELL Tel: (01698) 744348

TOLERANCES
NO DECIMAL PLACES $\pm 3.0\text{MM}$
ONE DECIMAL PLACE $\pm 0.5\text{MM}$
ROUGH M/C $\pm 0.25\text{MM}$
FINISH M/C $\pm 0.025\text{MM}$
OR AS STATED
GRIND TO LIMIT STATED

DRAWN
C.R.

SCALE
1:18

JOB No

TITLE

CHECKED
C.R.

DATE
10/05

DRG.No C7114

	A	
C.N.NUMBER	REV.	AUTH

