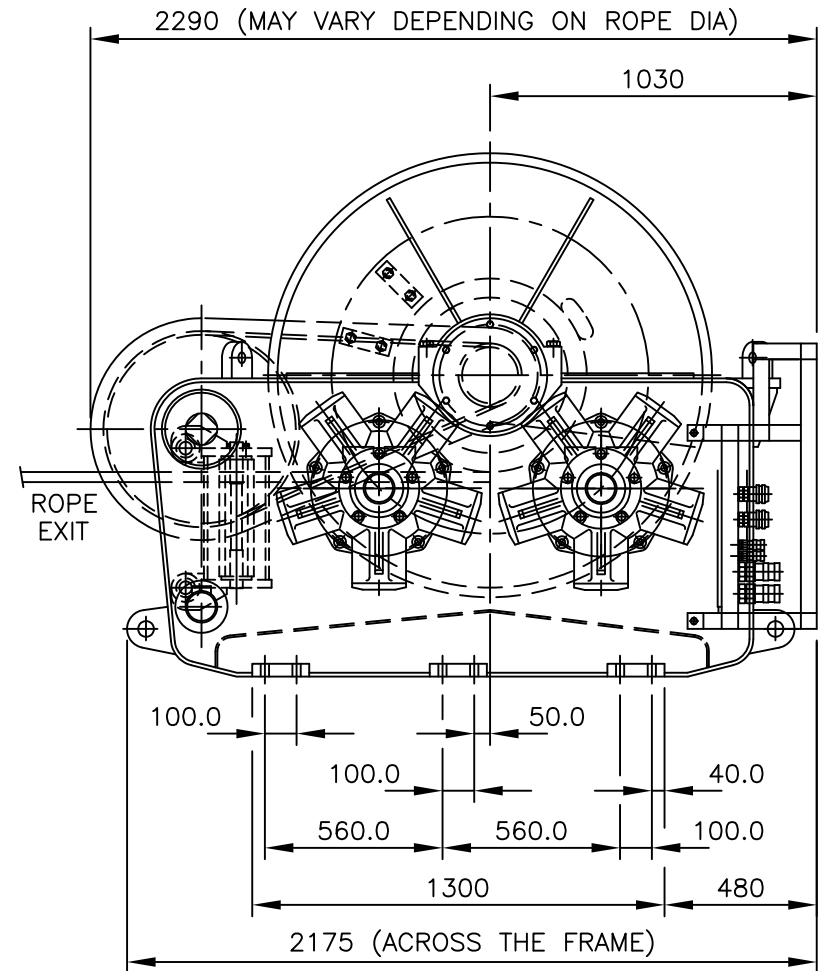
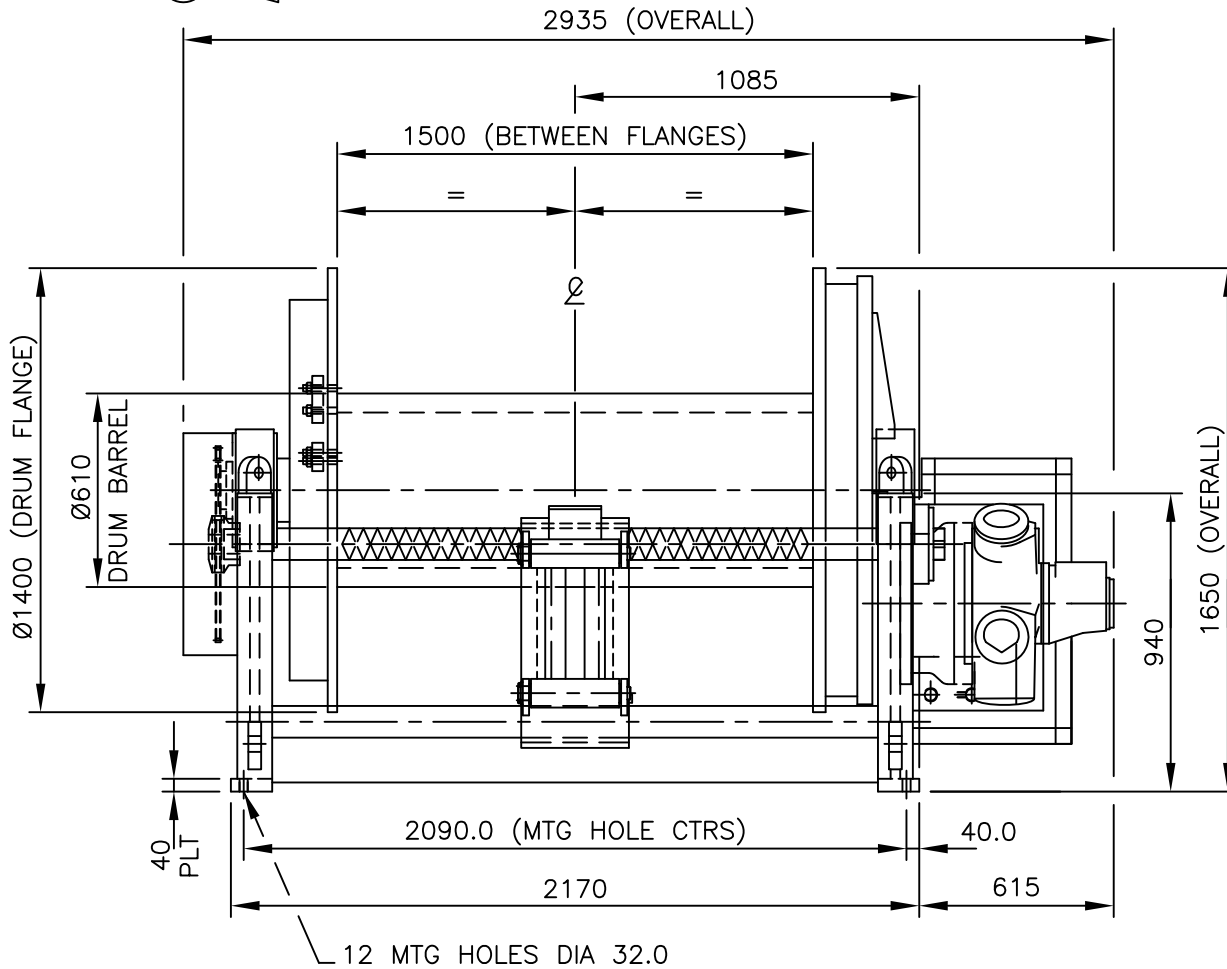


THIRD ANGLE

DO NOT SCALE



SEE DRG No B4363 FOR ROTREX MS40S WINCH FOOTPRINT DETAILS.

TITLE
ROTREX MS40S HYDRAULIC WINCH.

Rotrex Winches
Website: www.rotrex.co.uk

ABERDEEN Tel: (01224) 771818
DERBYSHIRE Tel: (01773) 603997
MOTHERWELL Tel: (01698) 744348

TOLERANCES
NO DECIMAL PLACES $\pm 3.0\text{MM}$
ONE DECIMAL PLACE $\pm 0.5\text{MM}$
ROUGH M/C $\pm 0.25\text{MM}$
FINISH M/C $\pm 0.025\text{MM}$
OR AS STATED
GRIND TO LIMIT STATED

DRAWN
A.C.

SCALE
1:18

JOB No

TITLE

CHECKED
C.R.

DATE
02/09

DRG.No C7228

C.N.NUMBER	REV.	AUTH