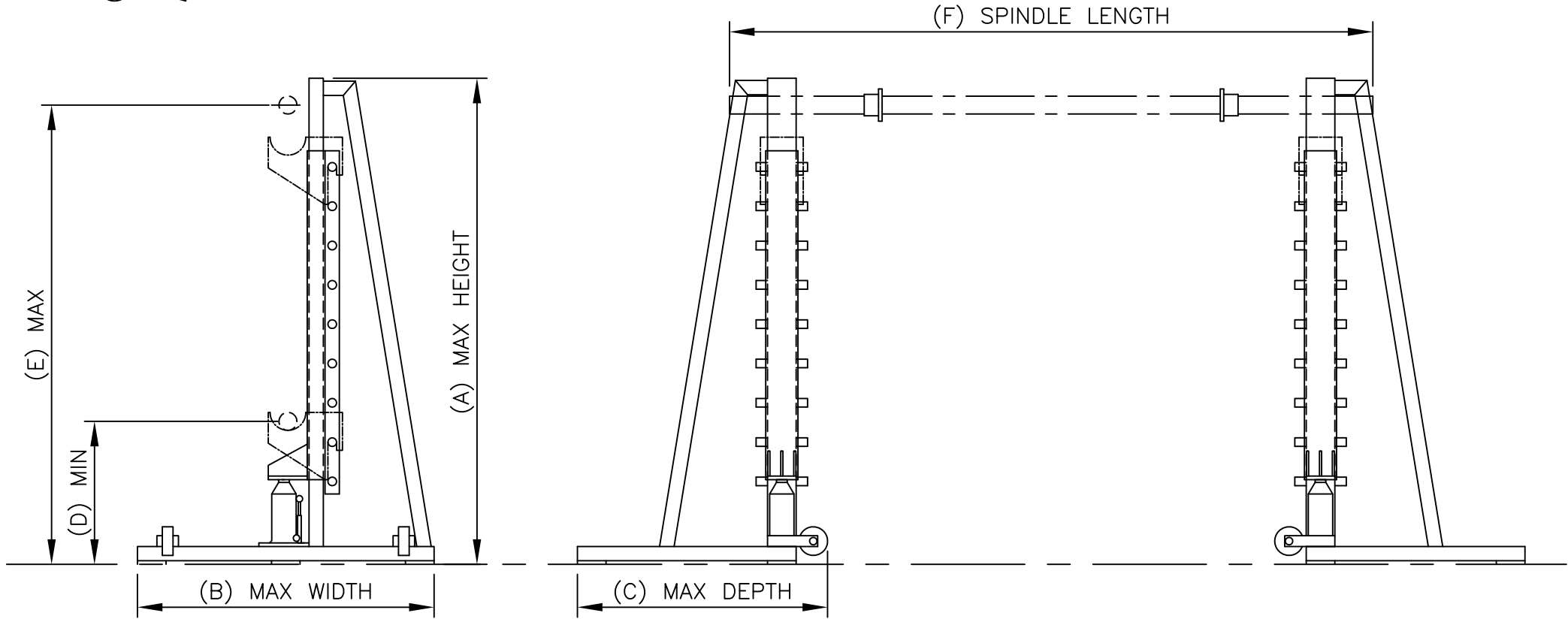


THIRD ANGLE

DO NOT SCALE



| MODEL | SWL | A | B | C | D | E | F | SPINDLE DIA | MAX DRUM DIA | MIN DRUM DIA | MAX DRUM WIDTH | WEIGHT PAIR | SPINDLE WEIGHT |
|-------|--------|------|------|-----|-----|------|------|-------------|--------------|--------------|----------------|-------------|----------------|
| HJ3 | 3.0Te | 1360 | 830 | 700 | 400 | 1285 | 1800 | 50 (SOLID) | 2500 | 800 | 1450 | 106KG | 30KG |
| HJ6 | 6.0Te | 1660 | 900 | 765 | 440 | 1560 | 2100 | 76 (HOLLOW) | 3000 | 880 | 1750 | 118KG | 53KG |
| HJ10 | 10.0Te | 1968 | 1080 | 985 | 525 | 1735 | 2100 | 76 (HOLLOW) | 3500 | 1080 | 1750 | 180KG | 53KG |

NOTE:
ALL DIMENSIONS IN mm



TITLE ROTREX HJ HYDRAULIC
DRUM JACK RANGE

Rotrex Winches
Website: www.rotrex.co.uk

ABERDEEN Tel: (01224) 771818
DERBYSHIRE Tel: (01773) 603997
MOTHERWELL Tel: (01698) 749938

TOLERANCES
NO DECIMAL PLACES $\pm 3.0\text{MM}$
ONE DECIMAL PLACE $\pm 0.5\text{MM}$
ROUGH M/C $\pm 0.25\text{MM}$
FINISH M/C $\pm 0.025\text{MM}$
OR AS STATED
GRIND TO LIMIT STATED

DRAWN
A.C.

SCALE
1:12

JOB No

TITLE

CHECKED
C.R.

DATE
2/10

DRG.No C7320

C.N.NUMBER

REV.

AUTH