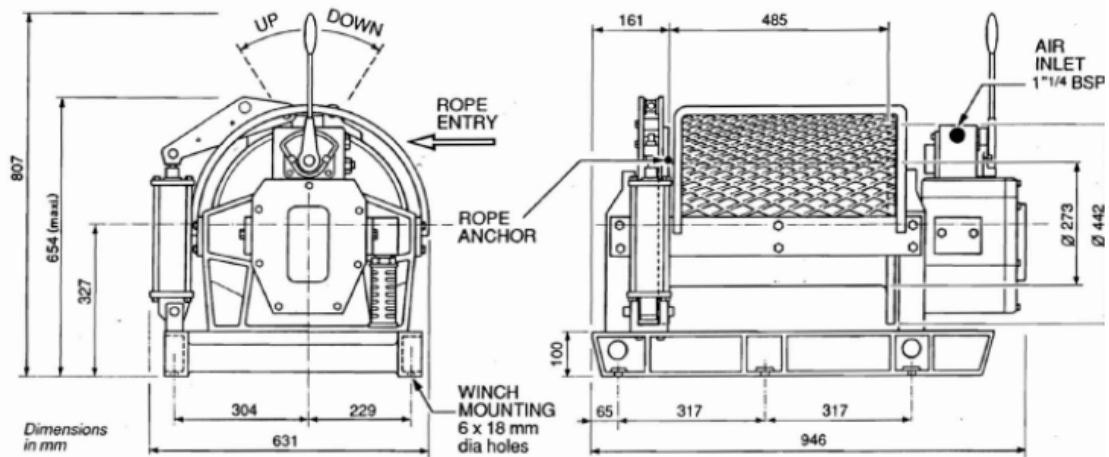


PERSONNEL LIFTING RANGE

LIFTSTAR 1000RLP = 1000 KG SWL
(Don't be mistaken for the 1000R)

SPEED	0-60M/MIN
AIR CONNECTION	1 ¼" BSP
WORKING PRESSURE	6.3 BAR OR 90 PSI
FLOW	7M ³ /MIN OR 250CFM
WEIGHT	340KG WITHOUT ROPE
RECOMMENDED ROPE SIZE	13MM (SPECIAL ROPE)
ROPE CAPACITY	142M X 13MM DIA (SPECIAL ROPE) 230M X 13MM DIA (STORAGE)
APPLICATION	LIFTING AND MAN-RIDING
BRAKE	INTERNAL DISC BRAKE AND BAND BRAKE BOTH AUTOMATIC
ROPE CONNECTION	ROPE IS FITTED TO THIS WINCH BY ROPE WEDGE



CAPACITY (with 13 mm dia. rope)						
Number of layers	1	2	3	4	5	6
Capacity (m)	31	65	102	142	185	230

* At rated load

Rating limit →