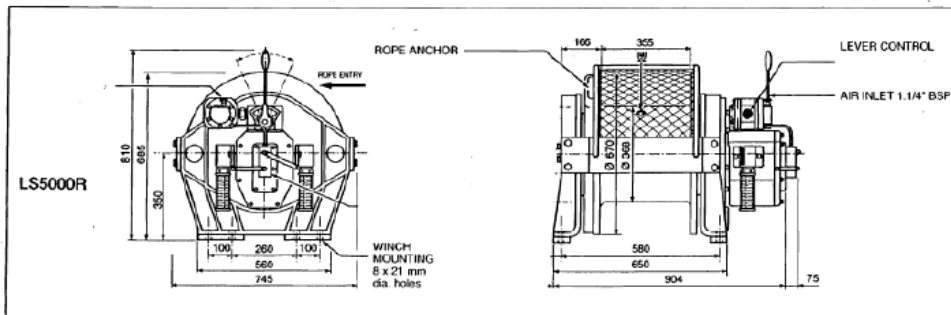


LIFTSTAR RANGE

LIFTSTAR 5000= 5000 KG SWL

SPEED	0-30M/MIN
AIR CONNECTION	1 1/4 "BSP
WORKING PRESSURE	7 BAR OR 100 PSI
FLOW	10M ³ /MIN OR 350 CFM
WEIGHT	650KG WITHOUT ROPE
RECOMMENDED ROPE SIZE	18 OR 20MM (MIN BREAK 25,000KG LIFTING) (SEE GRAPH ON SPEC SHEET)
ROPE CAPACITY	129 METRES (SEE GRAPH ON SPEC SHEET)
APPLICATION	LIFTING AND HAULING
BRAKE	INTERNAL AUTO, MULTI DISC
ROPE CONNECTION	ROPE IS FITTED TO THIS WINCH BY A ROPE WEDGE



Rope capacity

Cumulative rope capacity according to various layers in metres. (Double the figures for model GC, long drum).

Number of layers	1	2	3	4	5	6	7
Rope 18 mm Ø	21	45	71	99	129	161	195
Rope 20 mm Ø	19	41	64	90	118	147	179

Rating limit