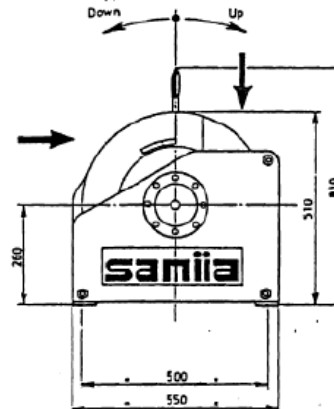
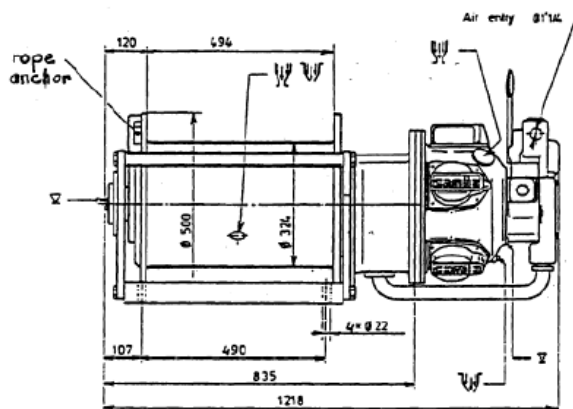


POWAIR RANGE

POWAIR 35B = 3500 KG SWL

SPEED	0-30M/MIN
AIR CONNECTION	1 ¼ "BSP
WORKING PRESSURE	7 BAR OR 100 PSI
FLOW	10M ³ /MIN OR 350CFM
WEIGHT	470KG WITHOUT ROPE
RECOMMENDED ROPE SIZE	16MM (MIN BREAK 17,500KG LIFTING)
ROPE CAPACITY	230 METRES
APPLICATION	LIFTING AND HAULING
BRAKE	AUTO SPRAG BRAKE
ROPE CONNECTION	ROPE IS FITTED TO THIS WINCH BY ROPE WEDGE



CUMULATIVE ROPE CAPACITY

Number of layers	1	2	3	4	5	6
Capacity rope 16 mm ø	29	63	100	140	182	227
Std model (m) rope 18 mm ø	25	56	90	126	165	