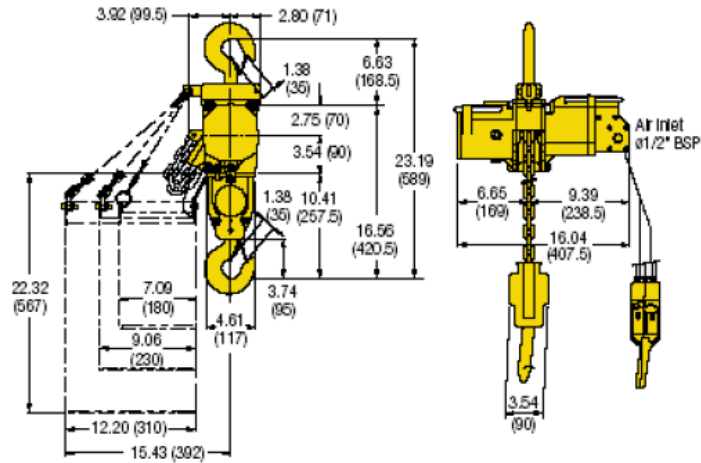


LCA030D – 3t Air Operated Chain Hoist

LCA030D (3 metric ton) in inches (mm)



| | |
|--------------------------------|--|
| Application: | Lifting (UNDERGROUND) |
| Power Source: | Air |
| Power Supply: | 6.3 bar (90 psi) @ 2.1m ³ /min (75 cfm) |
| Capacity: | 3000kg |
| Chain Falls: | Two |
| Lifting Speed (at rated load): | 2m/min |
| Lifting Speed (at no load): | 3.7m/min |
| Standard Headroom: | 589mm |
| Net Weight ⁽¹⁾ : | 60kg |
| Weight of Chain per m of lift: | 3.0kg |