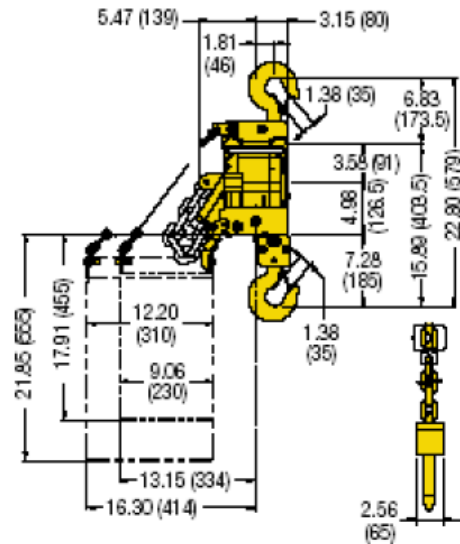


LCA030S – 3t Air Operated Chain Hoist

LCA030S (3 metric ton) in inches (mm)



Application:	Lifting (UNDERGROUND)
Power Source:	Air
Power Supply:	6.3 bar (90 psi) @ 3.5m ³ /min (124 cfm)
Capacity:	3000kg
Chain Falls:	One
Lifting Speed (at rated load):	3.2m/min
Lifting Speed (at no load):	6.0m/min
Standard Headroom:	579mm
Net Weight(1):	80kg
Weight of Chain per m of lift:	3.8kg