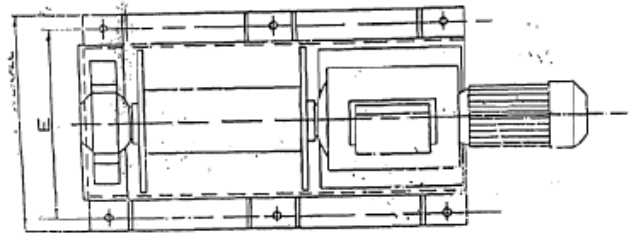
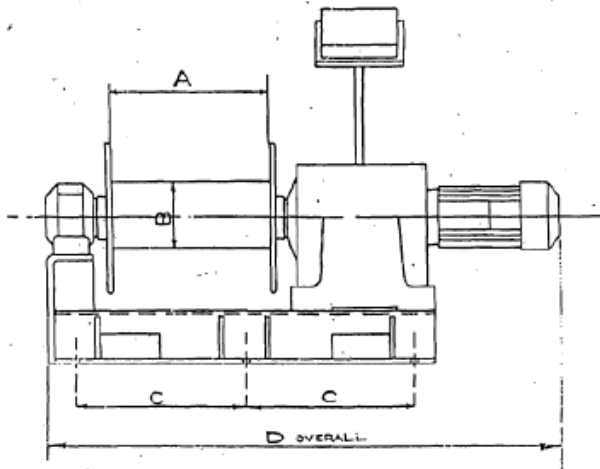


## **NIM RANGE**

NIM E2 = 2000KG SWL

<b>SPEED</b>	0-10M/MIN (SINGLE SPEED)
<b>WEIGHT</b>	650KG WITHOUT ROPE
<b>RECOMMENDED ROPE SIZE</b>	16MM (MIN BREAK 10,000KG)
<b>ROPE CAPACITY</b>	167METRES
<b>APPLICATION</b>	LIFTING AND HAULING
<b>BRAKE</b>	1 X AUTO ELECTRO MAGNETIC BRAKE
<b>START UP AMPS</b>	25A
<b>RUNNING LIGHT AMPS</b>	5.2A
<b>PROOF LOAD AMPS</b>	14A
<b>ROPE CONNECTION</b>	ROPE IS FITTED TO THIS WINCH DRUM FLANGE WITH A CLAMP
<b>SPECIFICATION</b>	415V – 50HZ – 3PH SUPPLY



A(mm)	508
B(mm)	273
C(mm)	580
D(mm)	1700
E(mm)	640
F(mm)	710