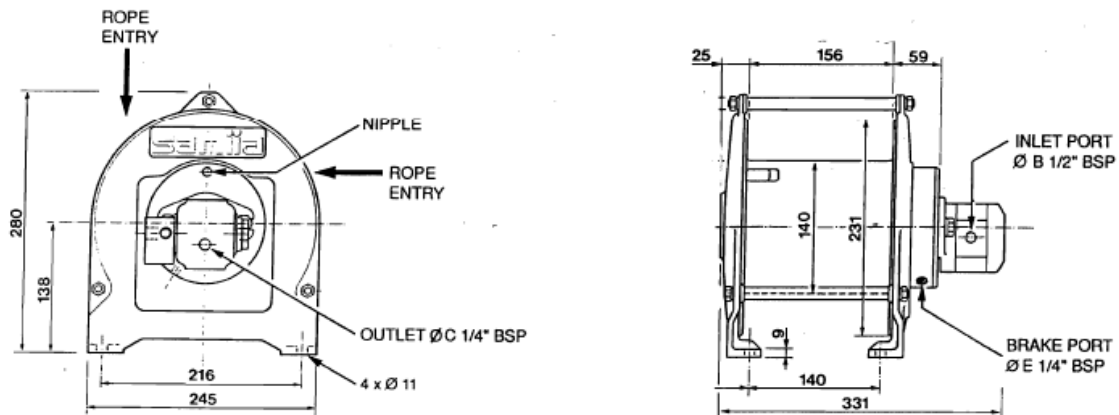


LIFTSTAR (H) RANGE

LIFTSTAR 600H = 600KG SWL

SPEED	0-27M/MIN
RATED PRESSURE	90 BAR OR 1280 PSI
FLOW	28 L/MIN OR 6 GALLON PER MIN
WEIGHT	25KG WITHOUT ROPE
RECOMMENDED ROPE SIZE	6.5MM (MIN BREAK 3000KG)
ROPE CAPACITY	60 METRES
APPLICATION	LIFTING AND HAULING
BRAKE	INTERNAL AUTO MULTI-DISC
ROPE CONNECTION	ROPE IS FITTED TO THIS WINCH DRUM BY A ROPE WEDGE



Cumulative rope capacity according to various layers in metres. (Double the figures for model GC, long drum).							
Number of layers	1	2	3	4	5	6	7
Rope 6.5 mm Ø	10	21	33	46	60	74	90
Rope 7.5 mm Ø	9	18	29	41	53	66	-
Rope 8 mm Ø	8	17	27	38	50	-	-

rating limit