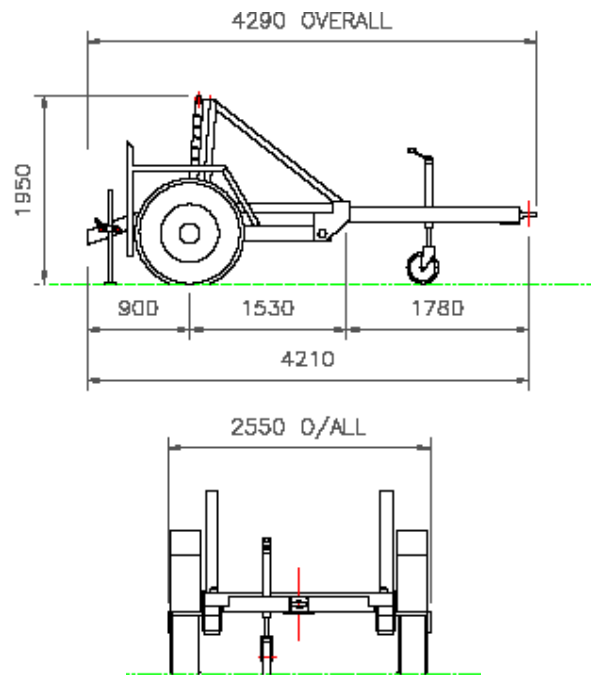


## CD130S CABLE DRUM TRAILER – 7250KG SITE TOWING ONLY

### Specification

Unladen Weight:	1300kgs.
Gross Weight:	8550kgs.
Nose Load:	350kgs.
Axle Load:	8200kgs.
Payload:	5200kgs.
O/all Width:	2550mm.
Max reel dia:	2860mm.
Min reel dia:	1360mm.
Max reel width:	1470mm. (with collars)
Spindle Dia:	76mm.
Tyres:	11.00 X 22.5 (148/145L)
Speed rating:	25kph (constant) 50kph (not sustained)
Wheels:	8.25 x 22.5 (c/nave)
Drawbar:	Fixed Height (Standard Height 510mm to 710mm) 76 Nato EYE.
Brakes:	Mech overrun c/w park brake
Lights:	Site only.
Construction:	All steel welded
Drum lift:	Hand pump operation c/w flow balance valve, locked mechanically in raised position.
Paint:	Full gloss.



A single axle cable drum trailer for easy manoeuvrability and suitable for off road applications. Cable drum trailer of sturdy construction with hydraulic drum lift facility to solve the problem of moving heavy drums to the position required on site.

