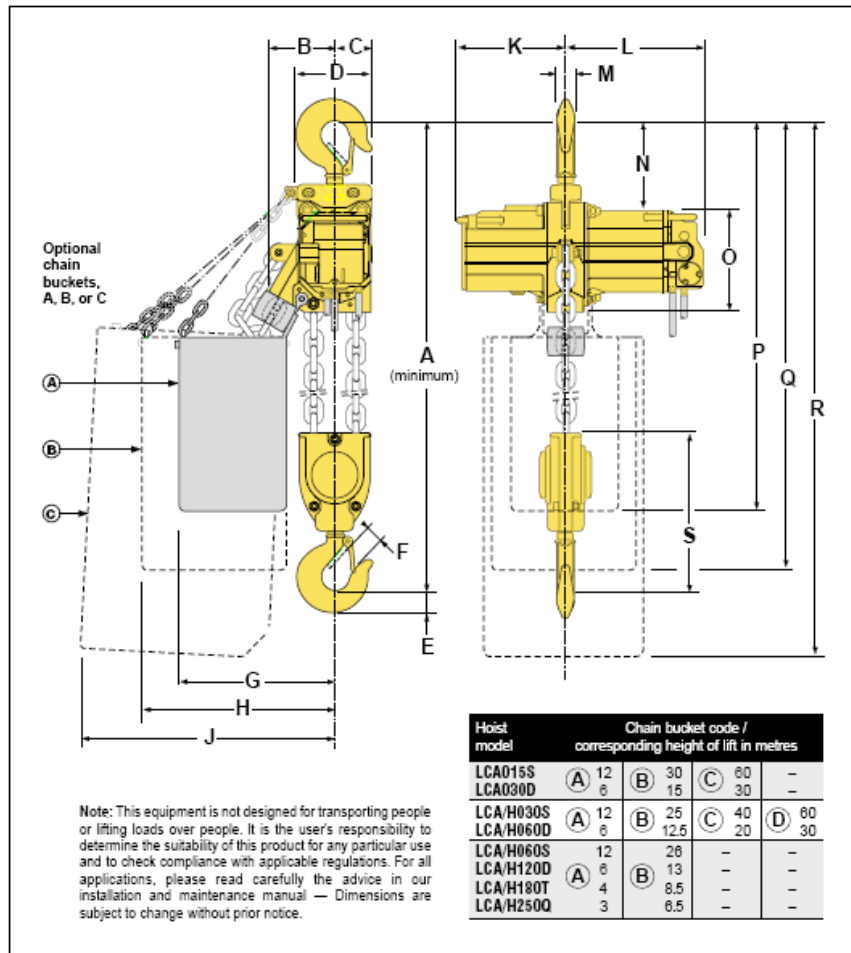


# LIFTCHAIN® Air and Hydraulic Chain Hoists

Dimensions of the LCA & LCH Series - 1.5 to 25 Ton capacity / Hook Mounted Versions

## Corresponding model numbers

- LCA Air Series**
- LCA015SIP2C
  - LCA030DIP2C
  - LCA030SIP2C
  - LCA060DIP2C
  - LCA060SIP2C
  - LCA120DIP2C
  - LCA180TIP2C
  - LCA250QIP2C
- LCH Hydraulic Series**
- LCH030SIFOC
  - LCH060DIFOC
  - LCH060SIFOC
  - LCH120DIFOC
  - LCH180TIFOC
  - LCH250QIFOC



| Model no.   | A    | B   | C   | D   | E  | F  | G   | H   | J   | K   | L   | M  | N   | O   | P    | Q    | R    | S   |
|-------------|------|-----|-----|-----|----|----|-----|-----|-----|-----|-----|----|-----|-----|------|------|------|-----|
| LCA015SIP2C | 446  | 100 | 71  | 130 | 29 | 27 | 262 | 312 | 302 | 179 | 239 | 22 | 137 | 161 | 665  | 764  | 864  | 147 |
| LCA030DIP2C | 599  | 100 | 71  | 130 | 37 | 32 | 262 | 312 | 302 | 179 | 239 | 29 | 169 | 161 | 696  | 796  | 896  | 258 |
| LCA030SIP2C | 579  | 139 | 80  | 163 | 37 | 32 | 334 | 414 | 544 | 233 | 296 | 29 | 173 | 218 | 846  | 946  | 1142 | 185 |
| LCA060DIP2C | 745  | 139 | 80  | 163 | 46 | 40 | 334 | 414 | 544 | 233 | 296 | 35 | 192 | 218 | 965  | 965  | 1161 | 333 |
| LCA060SIP2C | 752  | 175 | 101 | 203 | 46 | 40 | 435 | 564 | -   | 252 | 321 | 35 | 241 | 282 | 1086 | 1281 | -    | 223 |
| LCA120DIP2C | 991  | 175 | 101 | 203 | 67 | 58 | 435 | 564 | -   | 252 | 321 | 50 | 280 | 282 | 1125 | 1320 | -    | 423 |
| LCA180TIP2C | 1083 | 175 | 101 | 203 | 78 | 78 | 435 | 564 | -   | 311 | 376 | 62 | 320 | 282 | 1164 | 1360 | -    | 478 |
| LCA250QIP2C | 1180 | 175 | 101 | 203 | 99 | 82 | 435 | 564 | -   | 311 | 376 | 87 | 368 | 282 | 1213 | 1410 | -    | 527 |
| LCH030SIFOC | 586  | 139 | 80  | 163 | 37 | 32 | 334 | 414 | 544 | 245 | 253 | 29 | 173 | 218 | 846  | 946  | 1142 | 185 |
| LCH060DIFOC | 745  | 139 | 80  | 163 | 46 | 40 | 334 | 414 | 544 | 245 | 253 | 35 | 192 | 218 | 965  | 965  | 1161 | 333 |
| LCH060SIFOC | 735  | 175 | 101 | 203 | 46 | 40 | 435 | 564 | -   | 275 | 258 | 35 | 241 | 218 | 1086 | 1281 | -    | 223 |
| LCH120DIFOC | 991  | 175 | 101 | 203 | 67 | 58 | 435 | 564 | -   | 275 | 258 | 50 | 280 | 282 | 1125 | 1320 | -    | 423 |
| LCH180TIFOC | 1083 | 175 | 101 | 203 | 78 | 78 | 435 | 564 | -   | 352 | 298 | 62 | 320 | 282 | 1164 | 1360 | -    | 478 |
| LCH250QIFOC | 1180 | 175 | 101 | 203 | 99 | 82 | 435 | 564 | -   | 333 | 316 | 87 | 368 | 282 | 1215 | 1410 | -    | 527 |