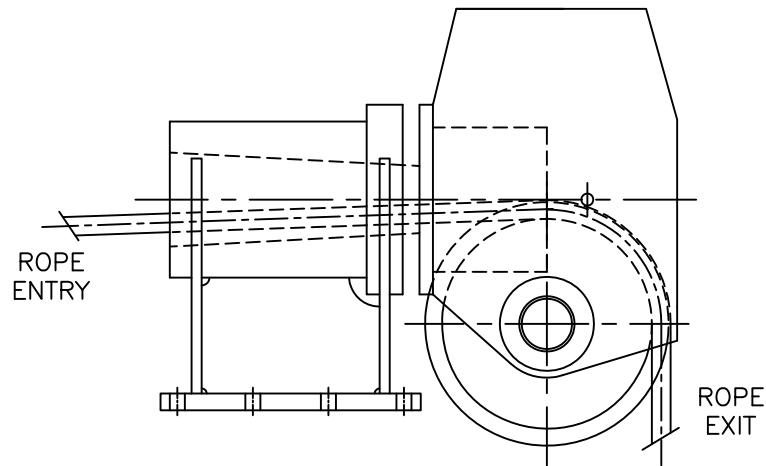
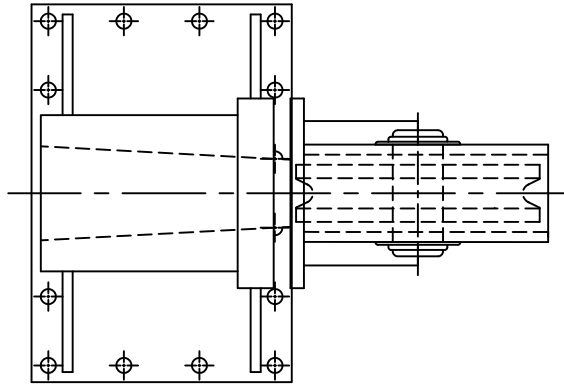
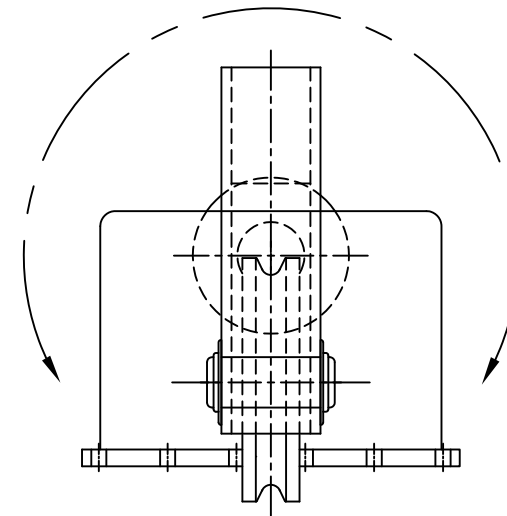


THIRD ANGLE

DO NOT SCALE



SWIVEL HEAD 360°



TITLE TYPICAL DRAWING OF A ROTREX SWIVEL HEAD FAIRLAED

Rotrex Winches
Website: www.rotrex.co.uk

ABERDEEN Tel: (01224) 771818
DERBYSHIRE Tel: (01773) 603997
MOTHERWELL Tel: (01698) 749938

TOLERANCES
NO DECIMAL PLACES $\pm 3.0\text{MM}$
ONE DECIMAL PLACE $\pm 0.5\text{MM}$

ROUGH M/C $\pm 0.25\text{MM}$
 FINISH M/C $\pm 0.025\text{MM}$
OR AS STATED
 GRIND TO LIMIT STATED

DRAWN
A.C.

SCALE
NTS

JOB No

C.N.NUMBER	REV.	AUTH

TITLE

CHECKED
C.R.

DATE
4/09

DRG.No C7251