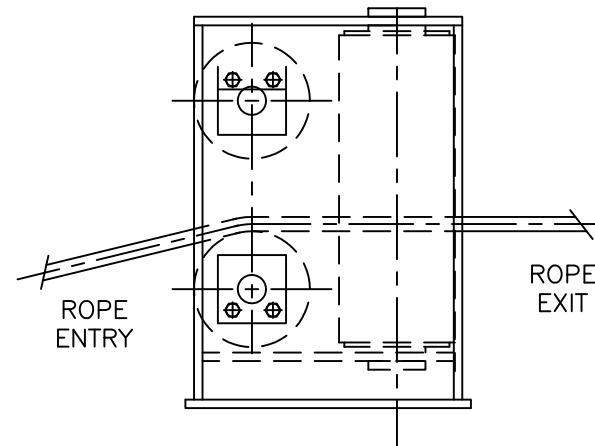
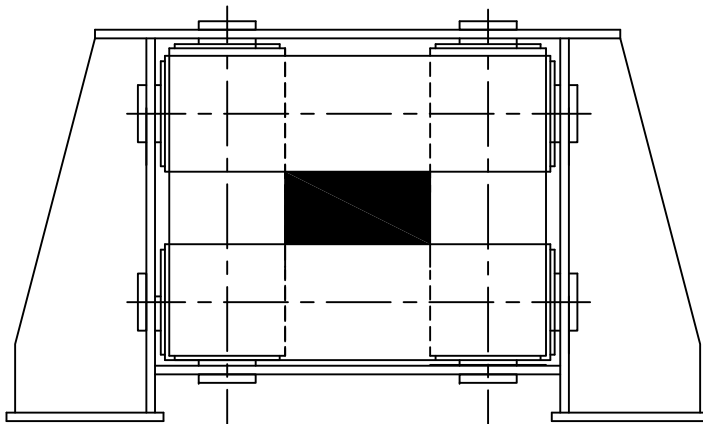
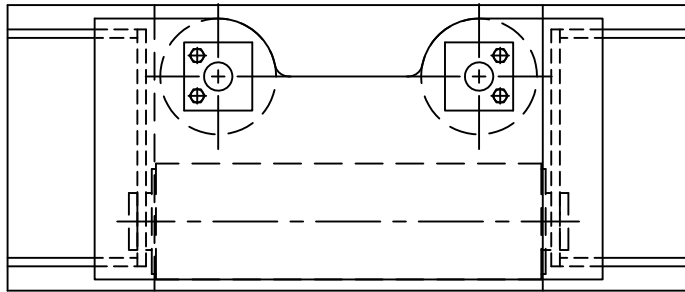



THIRD ANGLE

DO NOT SCALE



 = ROPE LETTER BOX.



TITLE TYPICAL DRAWING OF A ROTREX
MULTI-ANGLED DECK FAIRLEAD

Rotrex Winches
Website: www.rotrex.co.uk

ABERDEEN Tel: (01224) 771818
DERBYSHIRE Tel: (01773) 603997
MOTHERWELL Tel: (01698) 749938

TOLERANCES
NO DECIMAL PLACES $\pm 3.0\text{MM}$
ONE DECIMAL PLACE $\pm 0.5\text{MM}$
ROUGH M/C $\pm 0.25\text{MM}$
FINISH M/C $\pm 0.025\text{MM}$
OR AS STATED
GRIND TO LIMIT STATED

DRAWN
A.C.
CHECKED
C.R.

SCALE
NTS
DATE
4/09

JOB No

C.N.NUMBER	REV.	AUTH
------------	------	------

TITLE	DRG.No C7250
-------	--------------