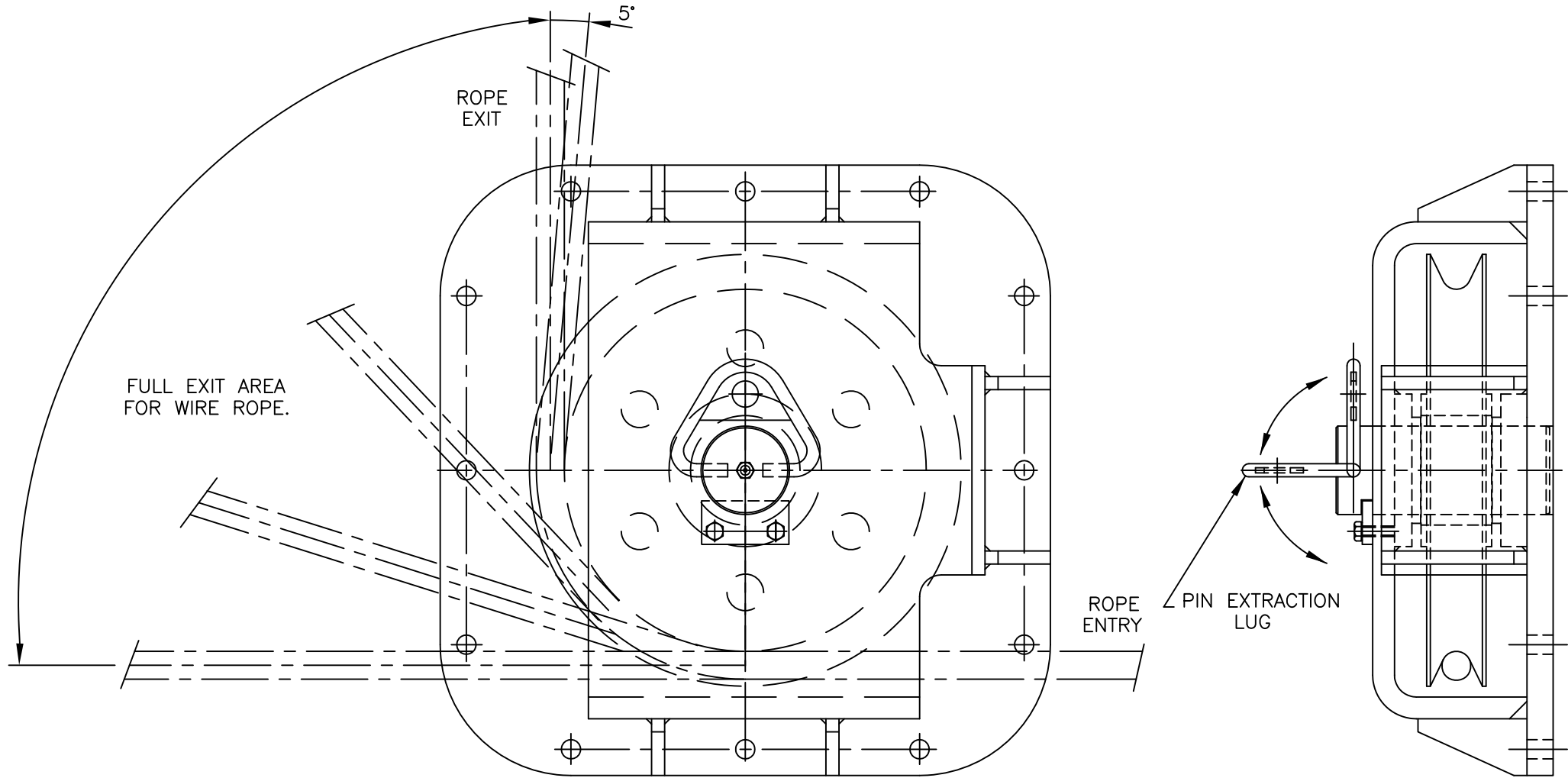


THIRD ANGLE

DO NOT SCALE



TITLE TYPICAL DRAWING OF A ROTREX HORIZONTAL DECK SHEAVE

Rotrex Winches  
Website: www.rotrex.co.uk

ABERDEEN Tel: (01224) 771818  
DERBYSHIRE Tel: (01773) 603997  
MOTHERWELL Tel: (01698) 744348

TOLERANCES  
NO DECIMAL PLACES  $\pm 3.0\text{MM}$   
ONE DECIMAL PLACE  $\pm 0.5\text{MM}$   
ROUGH M/C  $\pm 0.25\text{MM}$   
FINISH M/C  $\pm 0.025\text{MM}$   
OR AS STATED  
GRIND TO LIMIT STATED

DRAWN A.C.  
CHECKED C.R.  
SCALE NTS  
DATE 4/09

| C.N.NUMBER   | REV.  | AUTH |
|--------------|-------|------|
|              |       |      |
| JOB No       | TITLE |      |
| DRG.No C7242 |       |      |