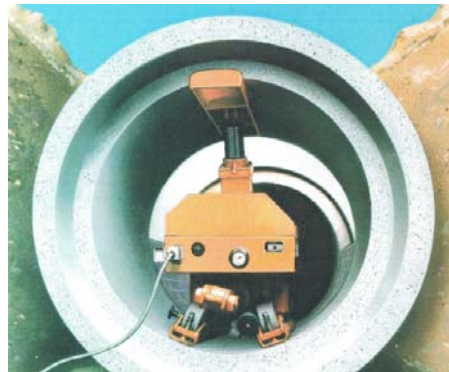
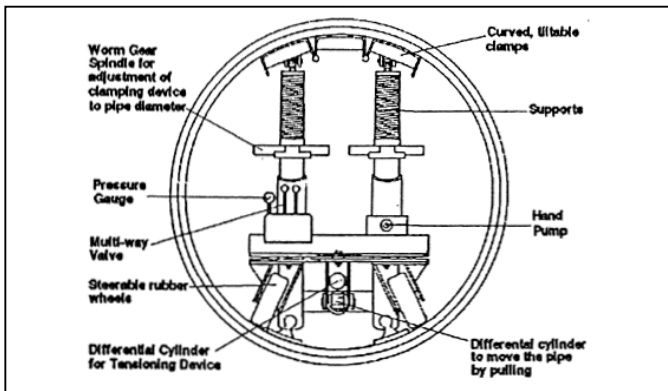
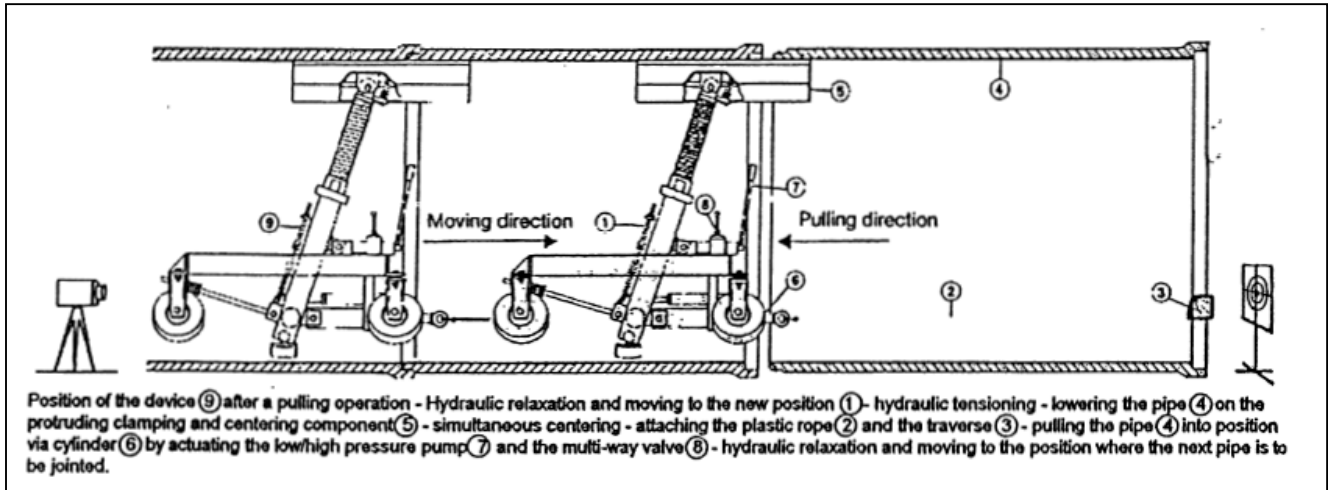


Rotrex Pipe Puller



Specification:

Model	RZE-16
Max Pulling force	16 tonnes
Inside Pip Diameter	800 – 2500mm
Lift	500mm
Max. Pressure	200 Bar
Drive	2.0Kw, 12 Volt
Battery	12 Volt/160Ah
Control	10m Cable with pendant control
Sling	Polyester sling of 6m working length
Traverse	For nw 800 – 2500mm

Required Information:

- Inside diameter of pipe to be pulled.
- Length of pipes being pulled.

Expand the order

- Any additional slings or shackles required?
- Does the customer require a round grab for lowering the pipes into position.